
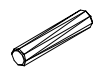

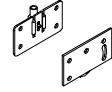
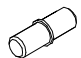

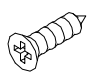


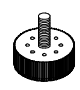
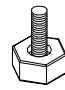
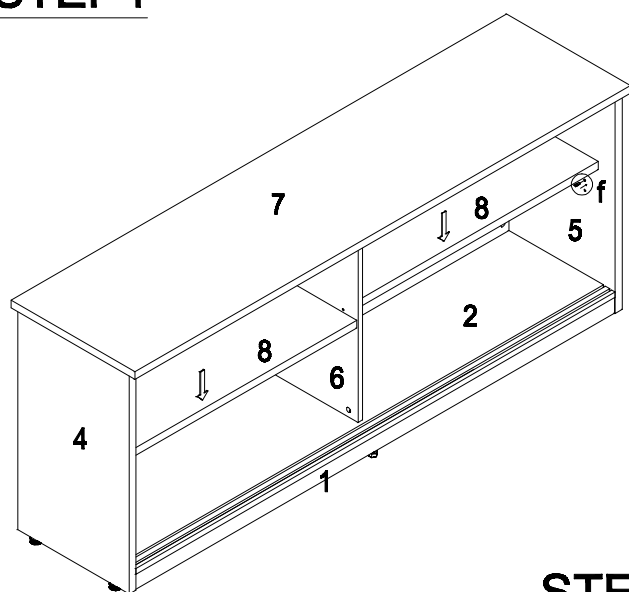


ASSEMBLY INSTRUCTIONS

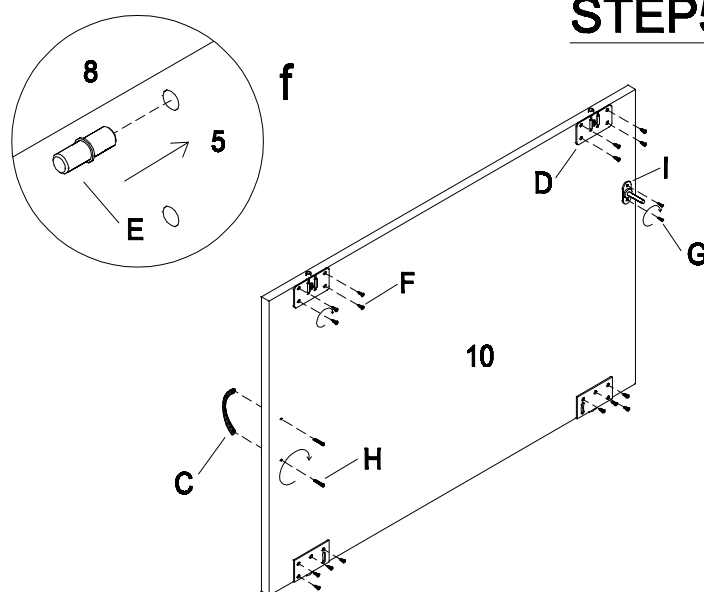
MODEL NO.:CZ18

A  22 (Ø 15x32) CAM LOCK	B  15 (Ø 8x30) DOWEL	C  2 (96mm) HANDLE	D  4 SLIDING-DOOR WHEEL	E  8 (Ø 5x15) SHELF SUPPORTER	F  32 (3x12) SCREWS
G  2 (4x14) SCREWS	H  4 (4x22) SCREWS	I  1 PUSH LOCK	J  4 (M6*15) ADJUSTABLE GLIDE	K  1 (M6*15) ADJUSTABLE GLIDE	

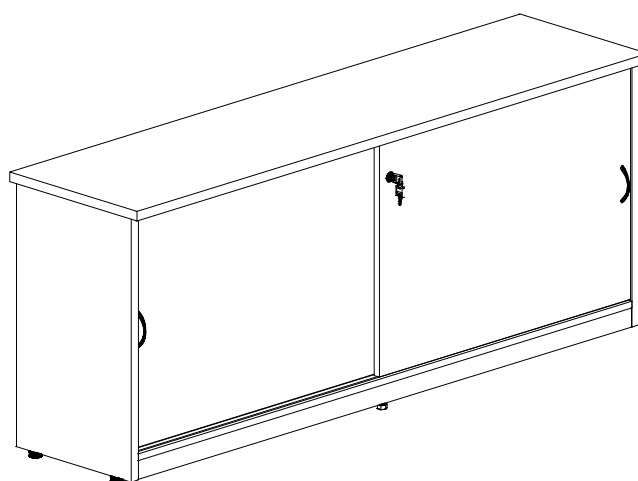
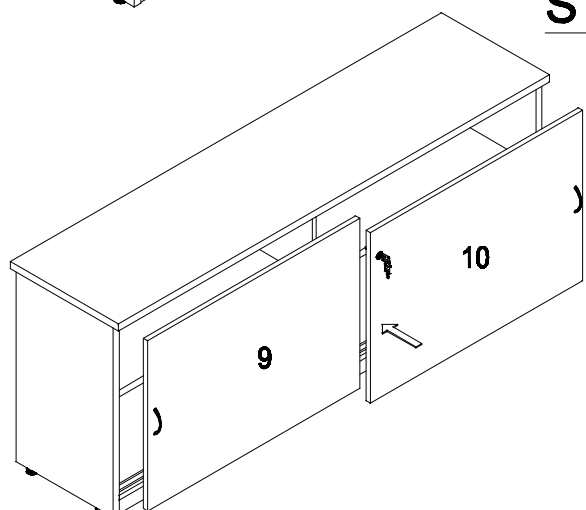
STEP 4



STEP 5



STEP 6



COMPLETED ASSEMBLY

IMPORTANT NOTE:

- Place all laminated parts on a clean and smooth surface such as a rug or carpet to avoid the parts from being scratched.
- Check to be sure that you have all parts and hardware.
- Remove all wrapping materials, including staples & packing straps before you start to assemble.
- Don't tighten all screws/bolts until all completely assembled.
- Keep all hardware parts out of reach of children.
- It is recommended to require 2 persons to complete the assembly.