



EPIC OFFICE
furniture.com.au

Anvil Desking.

Product **Specifications**



Anvil Desking.

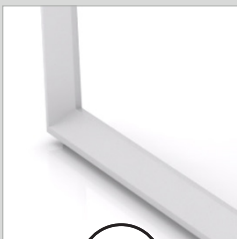
Introducing the Anvil Workstation: the next level in office desk design. Building upon the tremendous success of the Axis range, the Anvil range takes it to new heights.

Experience the elegance of the perfectly proportioned 50mm loop leg, designed to enhance executive offices with its sleek appeal. With a variety of quick ship configurations available, Anvil Desks ensure speedy delivery without compromising on style.

Whether you're seeking a stylish solution for a single office or a small open plan zone, Anvil Desking are the answer. They seamlessly integrate with the Axis storage range, maximizing functionality and aesthetics.

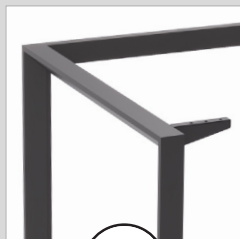
Flexibility is key with the Anvil Loop Leg bench desking, offering both side by side and back to back configurations to suit any space. The Loop legs, combined with fully adjustable central legs, guarantee exceptional stability, even on the most uneven floor surfaces.

Key Features



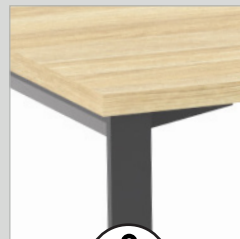
A. Superb Aesthetics

Shadowline angle on the frame enhances the 3D effect for a beautiful and stylish finish.



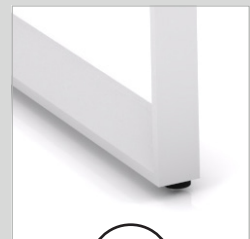
B. Strong Construction

Piece of mind with 2mm steel frame for extra strength & stability.



C. Reinforced Build

Extra top support brackets for even greater bracing and increased weight rating.



D. Adjustable Feet

30mm height adjustment in foot for those unlevel office floors.

Anvil Desking.

In Detail



Fast Assembly

Includes required tools and configured to make assembly time even faster.



Warranty

10 year warranty is the best in it's class giving you peace of mind.



Powdercoat Finish

White or Black powdercoat provides protection from corrosion, rust, UV and is easy to clean.



Customise

Multiple rail positions on the frame means less worry about the rails interfering with your power box.



Cable Management Options

A variety of cable trays and power/data options are available to suit any office needs.

Screens & Cable Management

Wide range of screens, modesties and cable trays & power/data options available.

Worktop

Available in studio white or new oak with matching 2mm PVC edge.

E0 Grade Worktop

Super low emission melamine worktops with matching hardedge to take the knocks.

Extra Top Supports

Makes for solid bracing.

Superb Aesthetics

Shadowline angle enhances the 3D effect.

10 Year Warranty
Best in it's class

Fast Assembly
All tools included & configured for quick install

Strong Construction

2mm steel for extra strength & stability.

Powdercoat Frame

Black or White powdercoat finish provides added protection & easy cleaning.

Adjustable Feet

30mm height adjustment in foot for unlevel floors.



* Refer to page 7 for Ratings & Certifications details.

Anvil Desking.

Colour Options



Anvil Single Sided Desk
White Frame with New Oak Worktop
Black frame & White worktop also available



Anvil Double Sided Desk
with Studio50 Screen
Black Frame with White Worktop
White frame & New Oak worktop also available



Anvil Desk & Return
Black Frame with White Worktop
White frame & New Oak worktop also available



Anvil 90° Single Sided Desk
Black Frame with New Oak Worktop
White frame & White worktop also available



Anvil 120° Single Sided Desk
White Frame with White Worktop
Black frame & New Oak worktop also available

Melamine Worktop Colour Options



New Oak



White

Powdercoated Frame Colour Options



Black



White



Anvil Desking.

Optional Upgrades

AcoustiQ Screens (clamp on)

10 mm AcoustiQ pinnable substrate
100% Polyester recycled PET

Cast aluminium clamps in white/
black powdercoat (3 types available)

Square finishing on bottom
and 50 mm radius on top

Radius18 Screens

Standard height 400 mm above desk
(can be changed on request)

18 mm nominal thickness

Black Clamp Brackets

Studio50 Screens

Standard height 500 mm above desk
(can be changed on request)

50 mm thickness

Hidden Brackets



Studio50 & Radius18 Screen Colour Options

Breathe



Splice



Motion Felt (Price on Application)

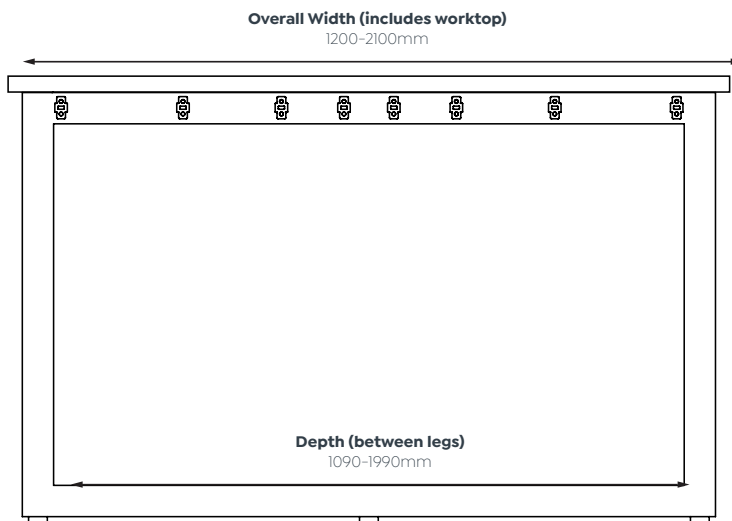
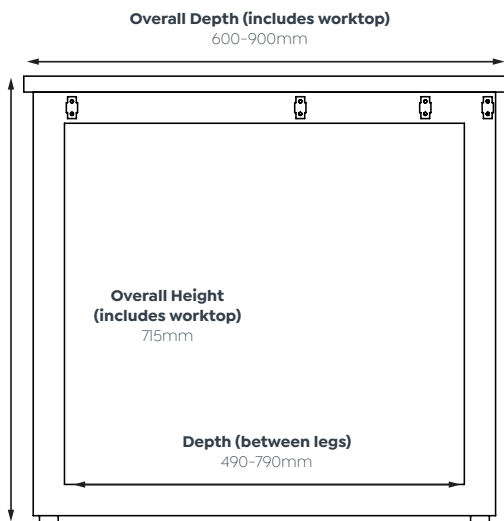


AcoustiQ Screen Colour Options

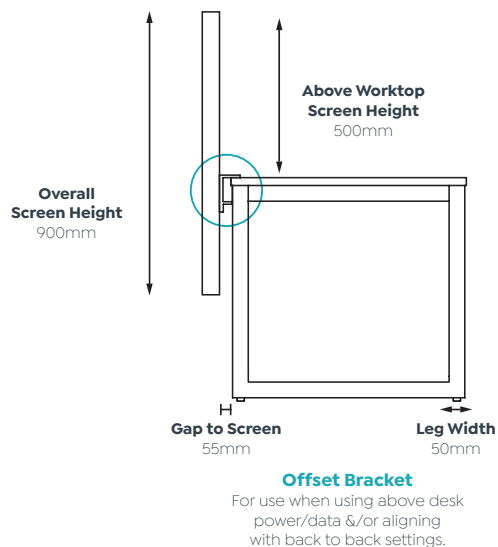
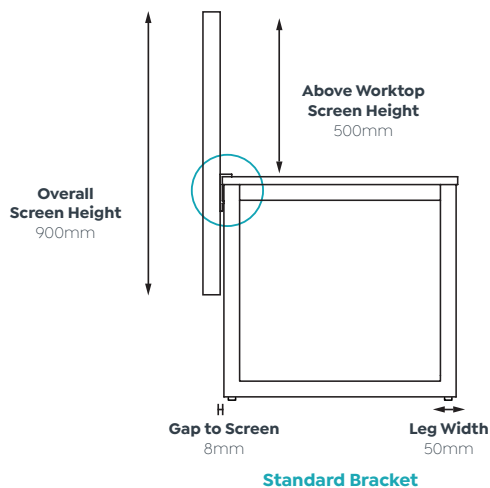


Anvil Desking.

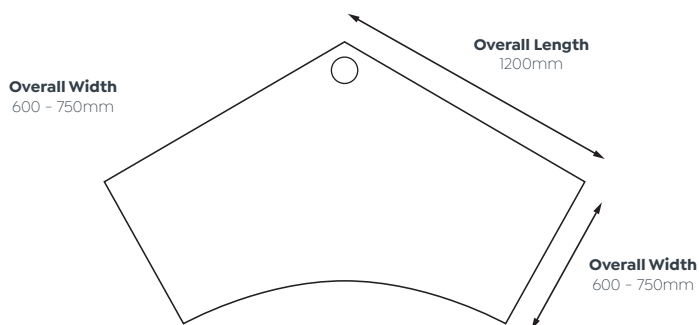
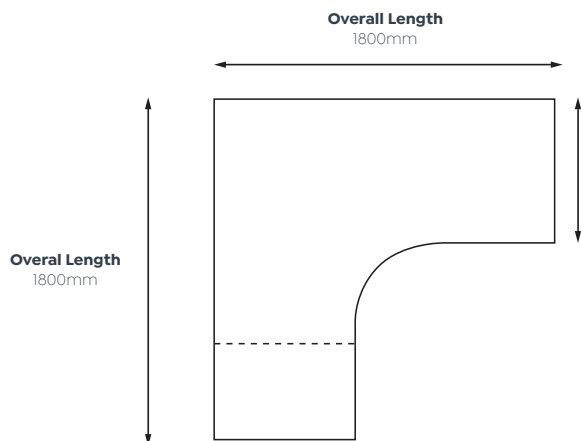
Dimension - Specifications



Screen Dimensions - Studio50 Hung Screen

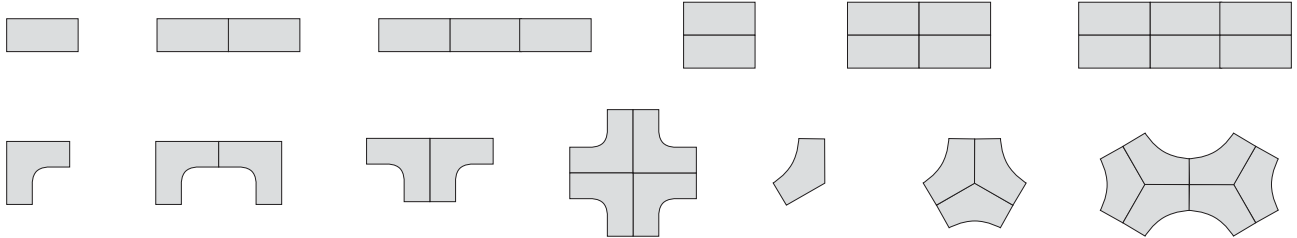


90° & 120° Dimensions



Anvil Desking.

Workstation Configurations



Available Sizes

Single Sided

| | | |
|--------------|--------------|--------------|
| 1200 x 600mm | 1600 x 600mm | 1800 x 900mm |
| 1200 x 750mm | 1600 x 750mm | 2100 x 900mm |
| 1500 x 600mm | 1800 x 600mm | |
| 1500 x 750mm | 1800 x 750mm | |

Double Sided

| | | |
|------------------|------------------|------------------|
| 2 x 1200 x 600mm | 2 x 1500 x 800mm | 2 x 1800 x 600mm |
| 2 x 1200 x 750mm | 2 x 1600 x 600mm | 2 x 1800 x 750mm |
| 2 x 1500 x 600mm | 2 x 1600 x 750mm | 2 x 1800 x 800mm |
| 2 x 1500 x 750mm | 2 x 1800 x 800mm | |

Single 90°

| |
|---------------------|
| 1800 x 1800 x 600mm |
| 1800 x 1800 x 750mm |

Single 120°

| |
|---------------------|
| 1200 x 1200 x 600mm |
| 1200 x 1200 x 750mm |

Desk with Return (left or Right hand)

| |
|-------------------------|
| 1800 x 600/900 x 600mm |
| 1800 x 750/900 x 600mm |
| 1800 x 900/900 x 600mm |
| 1800 x 600/1200 x 600mm |
| 1800 x 750/1200 x 600mm |
| 1800 x 900/1200 x 600mm |

White/Black Powdercoated Legs & Frame



Suits worksurface depth of

600 - 900mm

To Suit Worktop Length

900 - 1300mm

1200 - 1600mm

1500 - 1900mm

1800 - 2100mm

Anvil Desking.

Cheat Sheet Quick Guide

Standard Features

Extra fast assembly time

50 x 50 mm square legs, 50 x 25 mm rails

30 mm height adjustment in each foot

Arctic white or black powdercoat finish

Multiple rail positions on each frame

Worktop height 715 mm (incl worksurface)

Melamine Worktop - 25 mm E0 grade substrate finished in studio white or new oak with matching 2 mm PVC edge

GECA Certification

10 year warranty

E0 grade worktop

2 mm thick steel construction frame for extra strength & stability

Melamine Worktop Colour Options



New Oak



White

Powdercoated Frame Colour Options



Black



White



Studio50
Screens are
Australian
Made.

Breathe



Splice



Motion Felt (Price on Application)



AcustiQ Screen Colour Options



Additional Options.

Storage



Axis Mobile Drawers
Two Box Drawers + One File Drawer - Gang Locking



Axis Mobile Drawers
Four Box Drawers Gang Locking



Axis Caddy Mobile Bookcase
2 x Adjustable Shelves



Axis Caddy Mobile Bookcase
1 x Drawer Insert
Left or Right Handed Configuration



Axis Caddy Mobile
2 x Drawer Insert



Axis Caddy Mobile Bookcase
1 x Tambour Insert
Left or Right Handed Configuration



Axis Caddy Mobile Bookcase
1 x Tambour Insert
1 x Drawer Insert
Left or Right Handed Configuration



Axis Caddy Mobile
2 x Tambour Insert



Agile Steel Caddy L/H
Metal caddy unit with tambour and 3 drawers. Available in 2 Powdercoats



Agile Steel Caddy R/H
Metal caddy unit with tambour and 3 drawers. Available in 2 Powdercoats



Agile Regular Steel Mobile
Metal mobile drawer unit with 2 drawers and 1 file. Available in 2 Powdercoats



Agile Narrow Steel Mobile
Metal mobile drawer unit with 2 drawers and 1 file. Available in 2 Powdercoats



Axis Credenza 1200 Two Levels
2 x 25 mm adjustable shelves



Axis Credenza 1800 Two Levels
1 x 18 mm adjustable shelves
4x hinged locking doors



Axis Bookshelf Three Levels
2 x 25 mm adjustable shelves



Axis Bookshelf Five Levels
3 x 25 mm adjustable shelves
1 x fixed shelf



Axis Cupboard Locking Three Levels
2 x 18mm adjustable shelves



Axis Cupboard Locking Five Levels
3 x 18 mm adjustable shelves
1 x fixed shelf



Axis Tower Bookcase
2 x Adjustable Shelves



Axis Tower Bookcase
1 x Drawer Insert

Accessories



Monitor Arms
Axis / Studio50 Brackets



Cable Management
Above Desk / Below Desk



Modesties
Melamine / Metal



Laptop Riser
Available in Black



Deskmount Shelves
Studio White
243 high x 600 wide x 300 deep



Anvil double sided desks with Studio50 screens and Urban Mesh Chairs