



**EPIC OFFICE**  
furniture.com.au

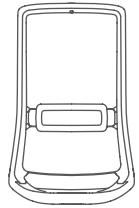


## **Flow Chair**

Assembly Instructions

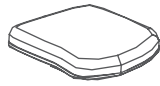
# Flow Chair

## Components List



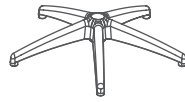
Back Frame

A



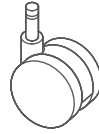
Seat

B



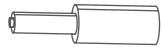
Base

C



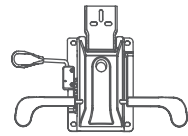
5 x Castors

D



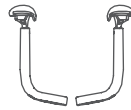
Gas Cylinder

E



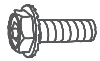
Seat Mechanism

F

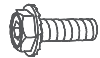


Arms

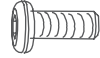
G



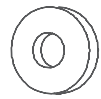
4 x M6x35mm



6 x M6x35mm



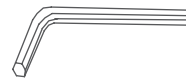
3 x M8x20mm



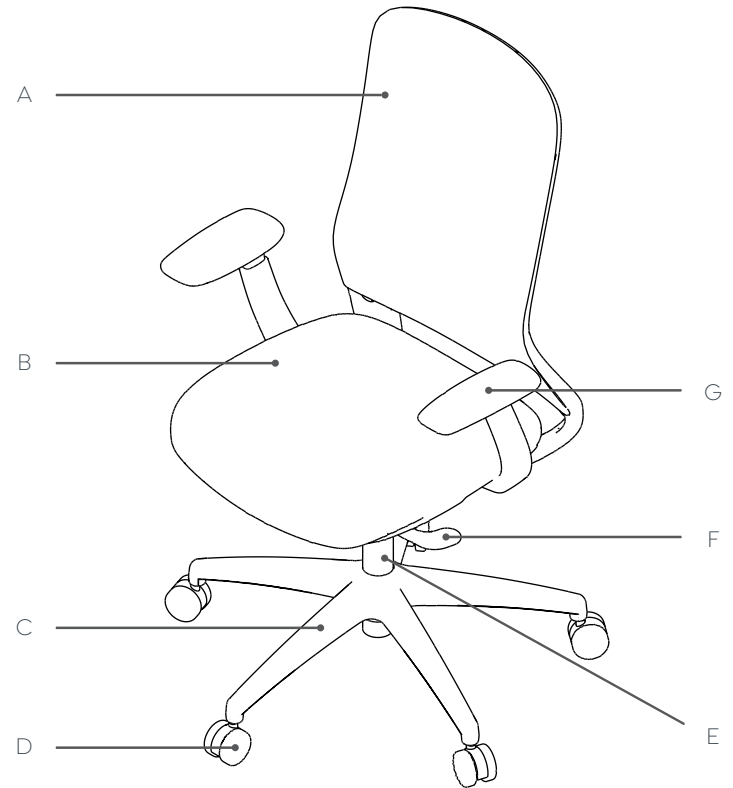
13 x M8xø17



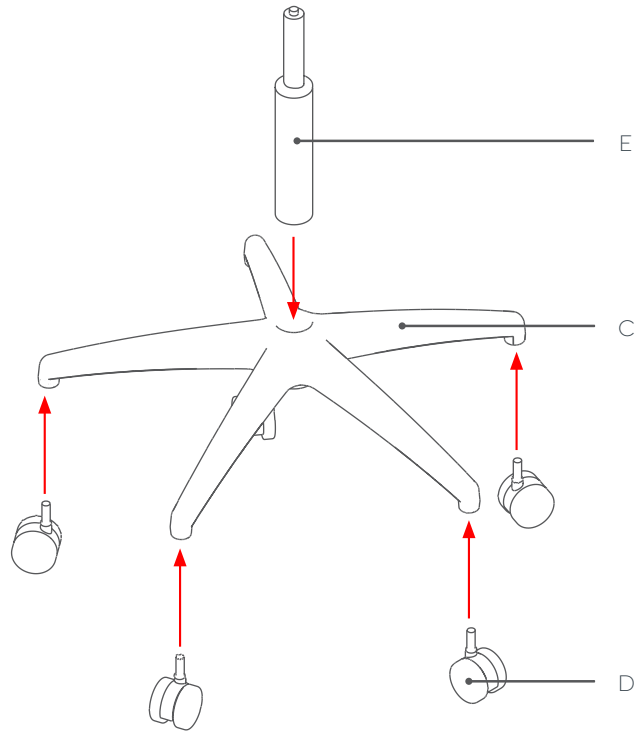
3 x M8xø14x2mm



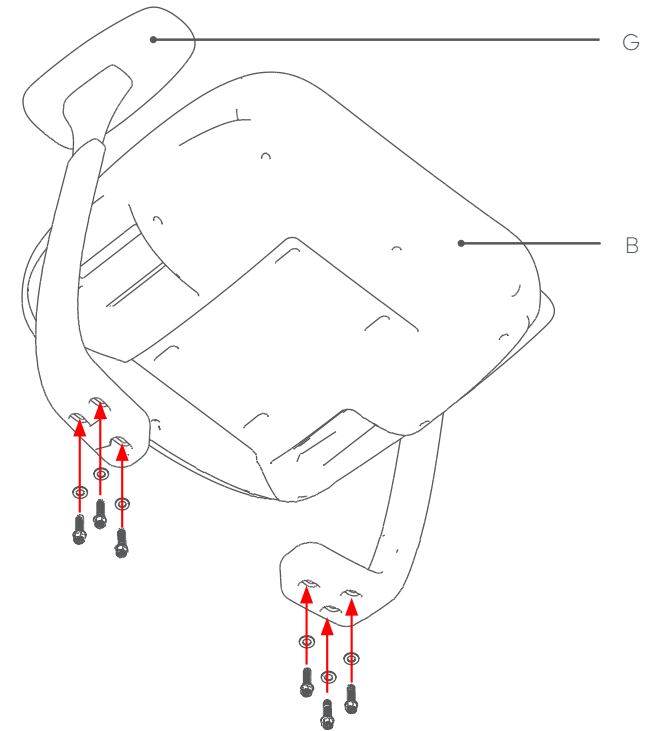
1 x M6



### STEP 1:



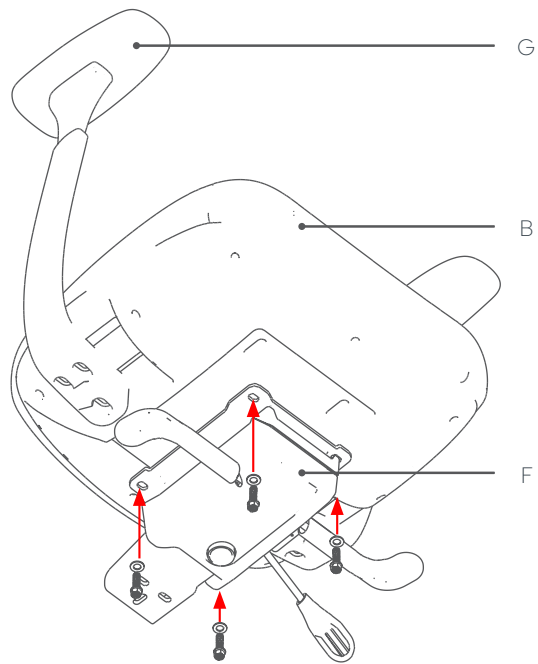
### STEP 2:



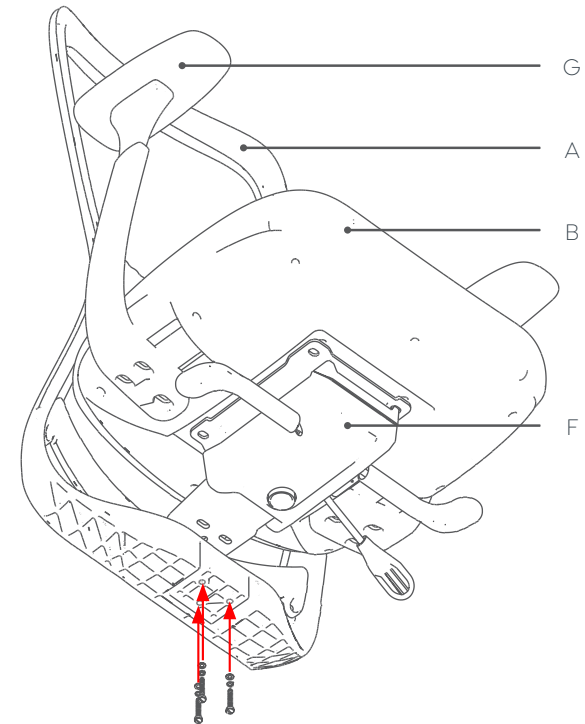
# Flow Chair

## Assembly Instructions

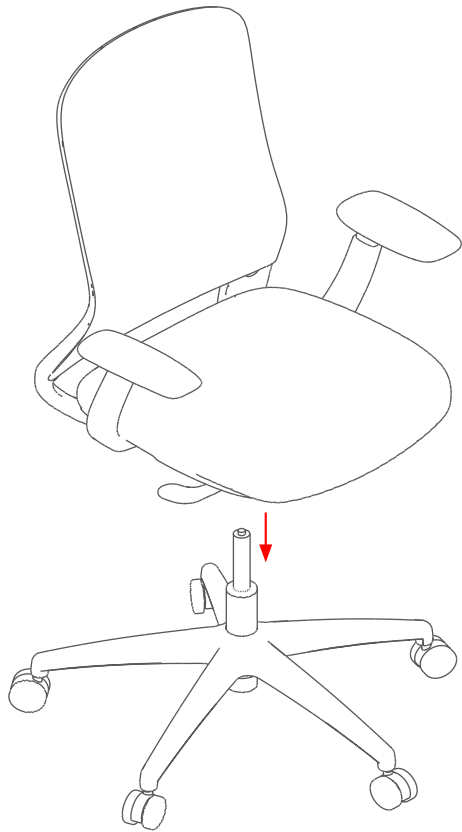
### STEP 3:



### STEP 4:



## STEP 5:



## Complete:

