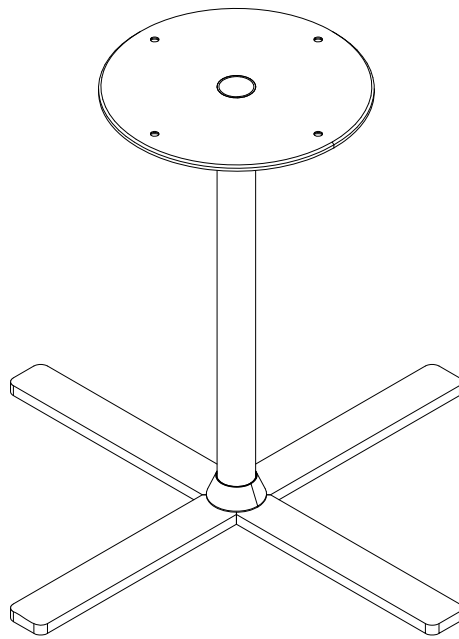

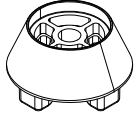
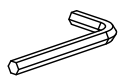



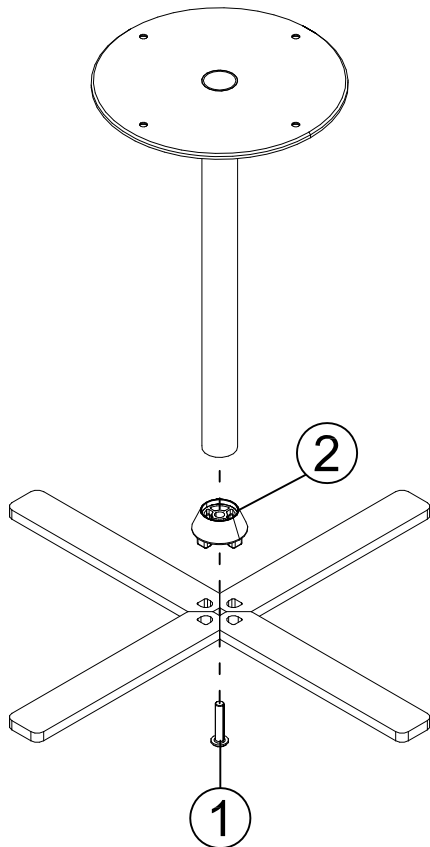
# Assembly Instructions

MODEL NO: STF5043 STF5058

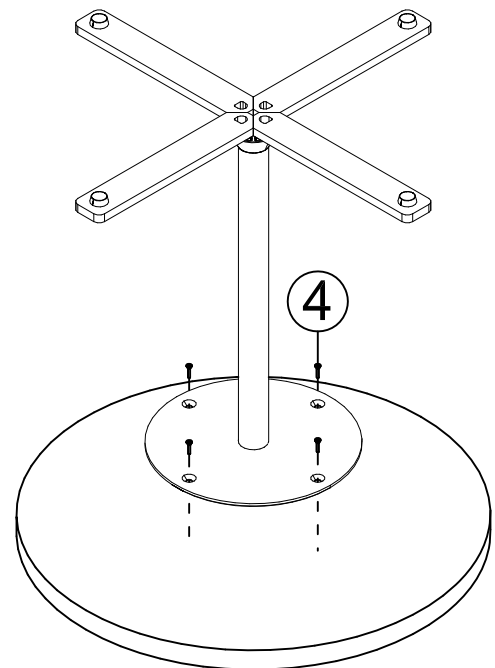


Bolt Screw	8×40
	1
	1PCS
Conical aluminum parts	
	2
	1PCS
Allen Wrench	M5
	3
	1PCS
Wood Screw	4×20
	4
	4PCS

## STEP1



## STEP2



### IMPORTANT NOTE:

- Place all laminated parts on a clean and smooth surface such as a rug or carpet to avoid the parts from being scratched.
- Check to be sure that you have all parts and hardware.
- Remove all wrapping materials, including staples & packing straps before you start to assemble.
- Don't tighten all screws/bolts until all completely assembled.
- Keep all hardware parts out of reach of children

