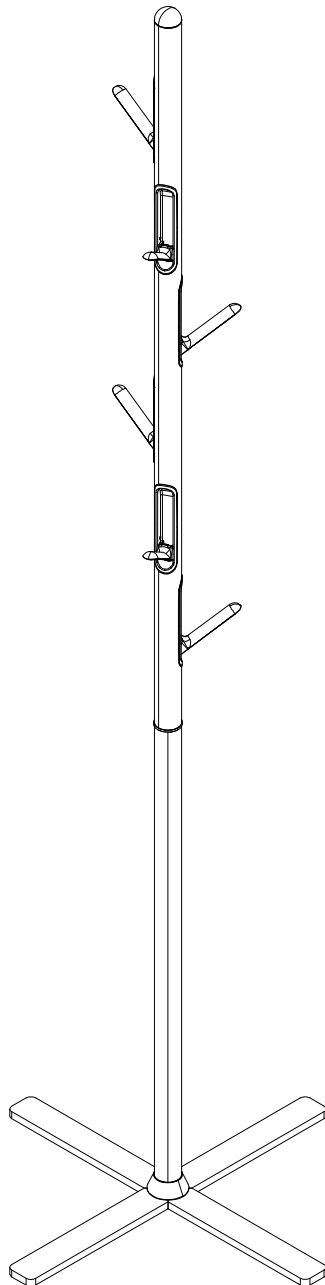




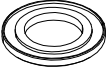

Assembly Instructions

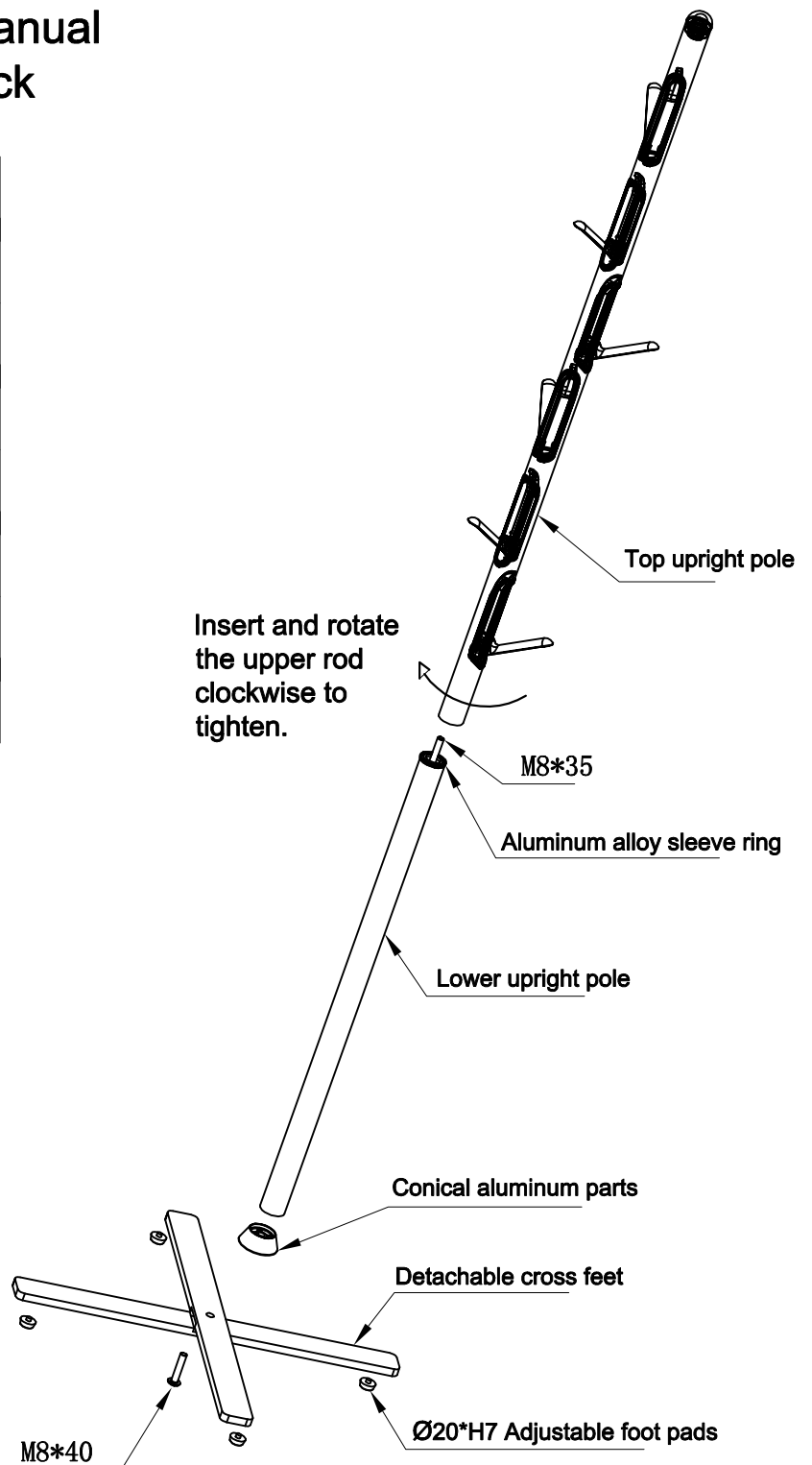
MODEL NO:CR1735

A

Installation manual for clothes rack



Bolt Screw	8x40
	1
1PCS	
Conical aluminum parts	
	2
1PCS	
Aluminum alloy sleeve ring	
	3
1PCS	
Allen Wrench	M5
	4
1PCS	



IMPORTANT NOTE:

- Place all laminated parts on a clean and smooth surface such as a rug or carpet to avoid the parts from being scratched.
- Check to be sure that you have all parts and hardware.
- Remove all wrapping materials, including staples & packing straps before you start to assemble.
- Don't tighten all screws/bolts until all completely assembled.
- Keep all hardware parts out of reach of children

