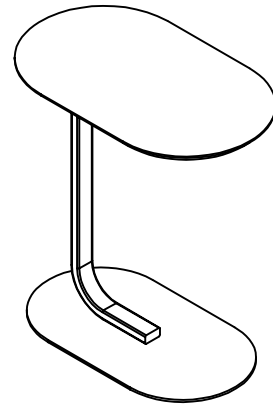




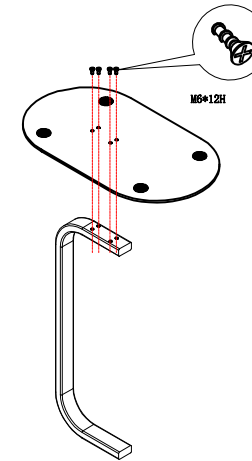
Assembly Instructions

MODEL NO: SSTF500

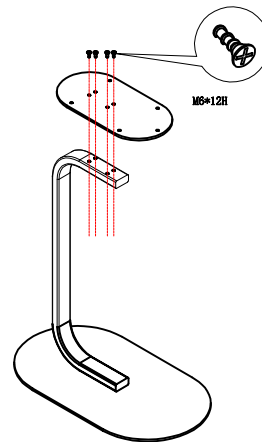


	M6*12H 8pcs
	M5*20H 5pcs

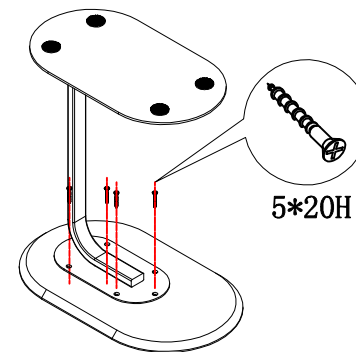
STEP 1



STEP 2



STEP 3



IMPORTANT NOTE:

- Place all laminated parts on a clean and smooth surface such as a rug or carpet to avoid the parts from being scratched.
- Check to be sure that you have all parts and hardware.
- Remove all wrapping materials, including staples & packing straps before you start to assemble.
- Don't tighten all screws/bolts until all completely assembled.
- Keep all hardware parts out of reach of children

