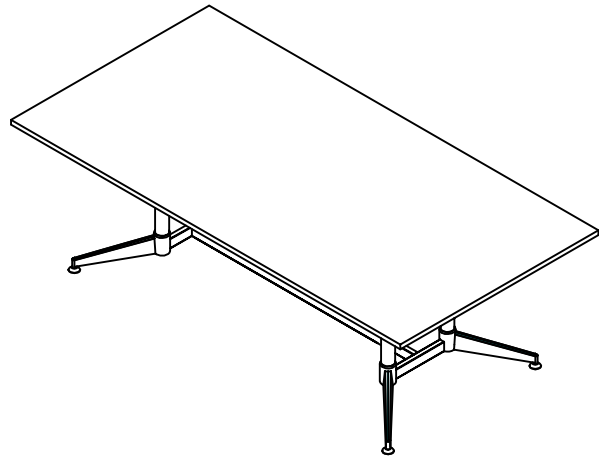


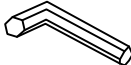

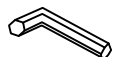
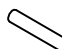


Assembly Instructions

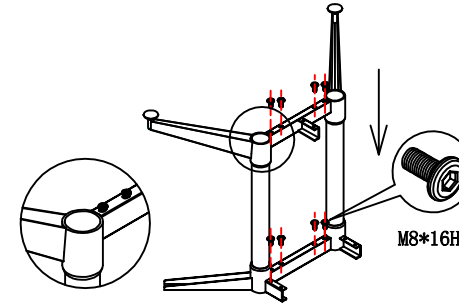
MODEL NO: TF1575+BTF1575+TF189+BTF189+TF2412+BTF2412

rapidline



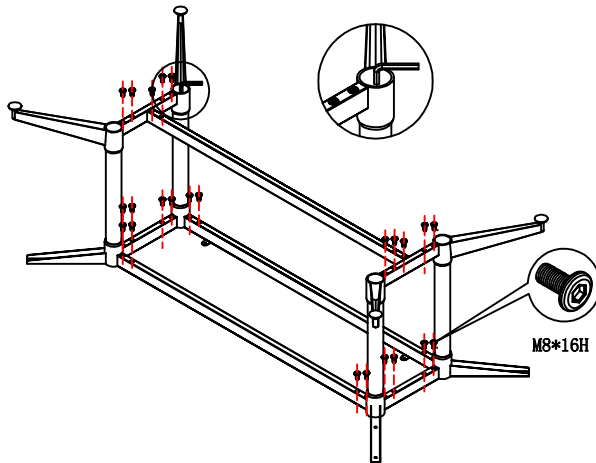
	M8*16H 28pcs
	M5*20H 12pcs
	M12 1pcs
	M6 1pcs
	M6 1pcs
	ø16 1pcs

STEP1

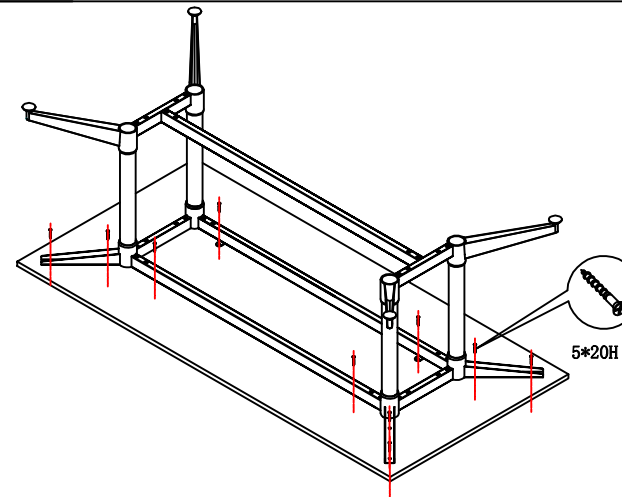


Slide Both The Bottom And Top Cross Bar Into The Left & Right Hand Side End Uprights - Attach Cross Bars With M8 Bolts (Do Not Completely Tighten Bolts)

STEP2



STEP3



IMPORTANT NOTE:

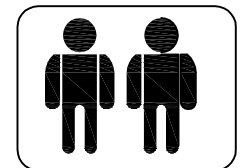
Place all laminated parts on a clean and smooth surface such as a rug or carpet to avoid the parts from being scratched.

Check to be sure that you have all parts and hardware.

Remove all wrapping materials, including staples & packing straps before you start to assemble.

Don't tighten all screws/bolts until all completely assembled.

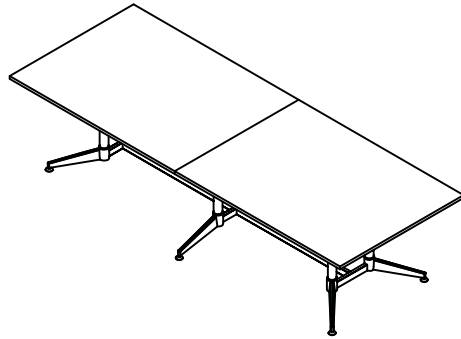
Keep all hardware parts out of reach of children



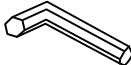
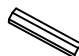
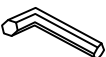
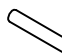


Assembly Instructions

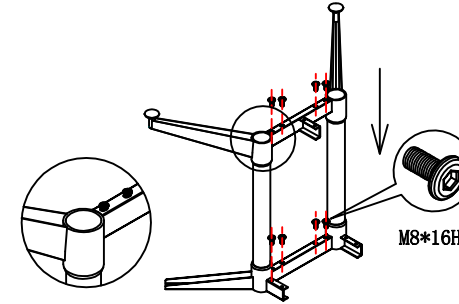
MODEL NO: TF3212-N+BTF3212

rapidline



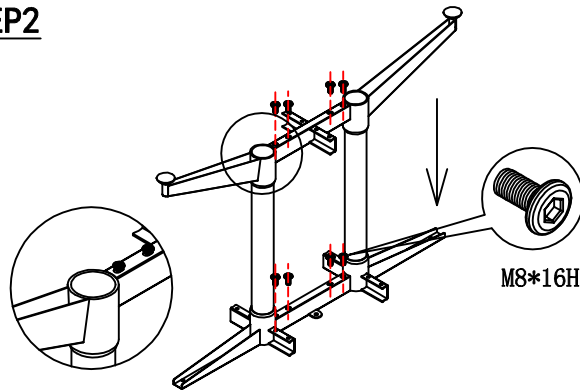
	M8*16H 48pcs
	M5*20H 26pcs
	M12 1pcs
	M6 1pcs
	M6 1pcs
	ø16 1pcs

STEP1



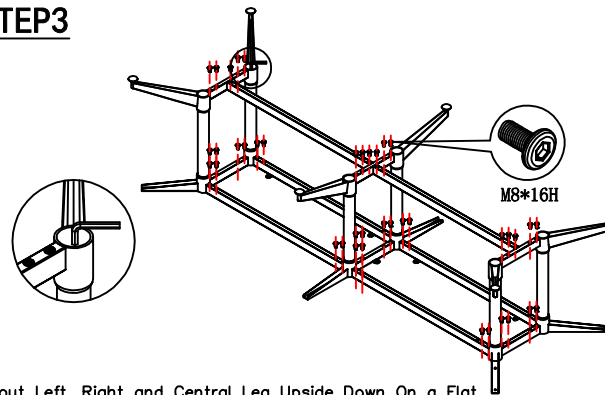
Slide Both The Bottom And Top Cross Bar Into The Left & Right Hand Side End Uprights - Attach Cross Bars With M8 Bolts (Do Not Completely Tighten Bolts)

STEP2



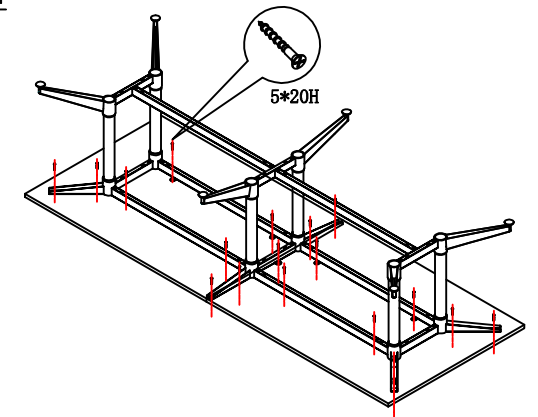
Slide Both The Bottom And Top Cross Bar Into The Central Uprights - Attach Cross Bars With M8 Bolts (Do Not Completely Tighten Bolts)

STEP3



Layout Left, Right and Central Leg Upside Down On a Flat Surface. Slide Central Support Beams Into Legs - Attach Support Beams With M8 Bolts (Do Not Completely Tighten Bolts). Once The Frame Is Sitting Flush On the Flat Surface, Tighten All Bolts Completely.

STEP4



IMPORTANT NOTE:

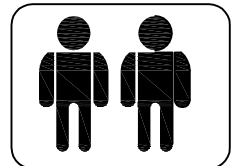
Place all laminated parts on a clean and smooth surface such as a rug or carpet to avoid the parts from being scratched.

Check to be sure that you have all parts and hardware.

Remove all wrapping materials, including staples & packing straps before you start to assemble.

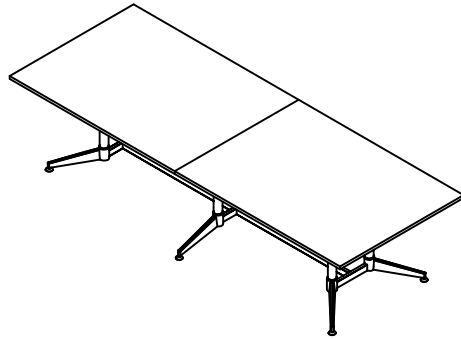
Don't tighten all screws/bolts until all completely assembled.

Keep all hardware parts out of reach of children



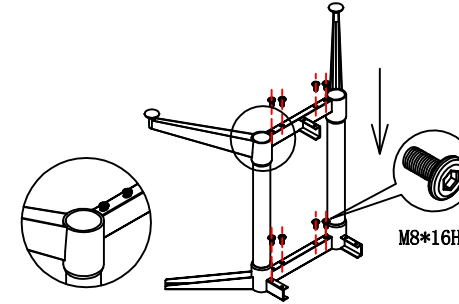
Assembly Instructions

MODEL NO:TF4012+BTF4012



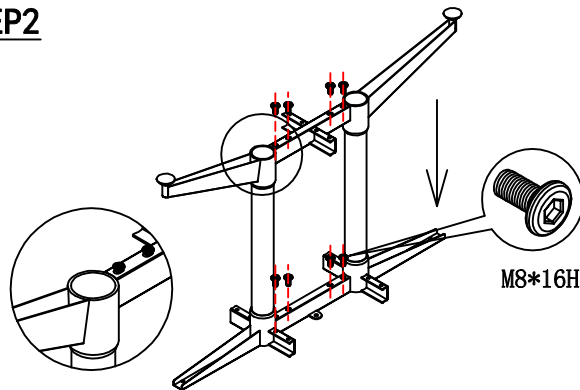
	M8*16H 48pcs
	M5*20H 30pcs
	M12 1pcs
	M6 1pcs
	M6 1pcs
	ø16 1pcs

STEP1



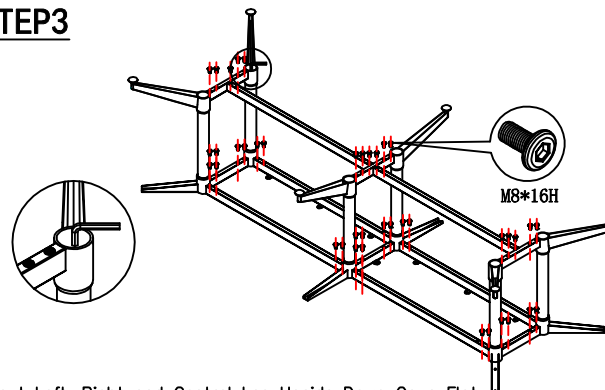
Slide Both The Bottom And Top Cross Bar Into The Left & Right Hand Side End Uprights - Attach Cross Bars With M8 Bolts (Do Not Completely Tighten Bolts)

STEP2



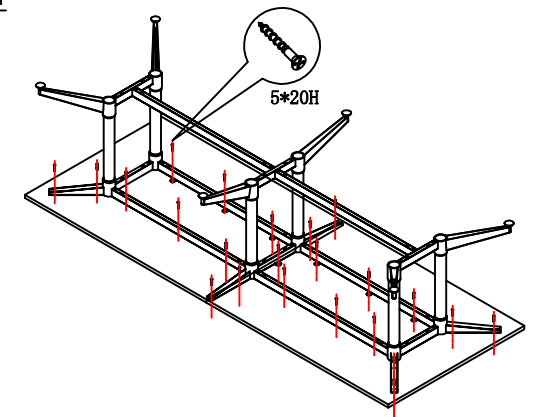
Slide Both The Bottom And Top Cross Bar Into The Central Uprights - Attach Cross Bars With M8 Bolts (Do Not Completely Tighten Bolts)

STEP3



Layout Left, Right and Central Leg Upside Down On a Flat Surface. Slide Central Support Beams Into Legs – Attach Support Beams With M8 Bolts (Do Not Completely Tighten Bolts). Once The Frame Is Sitting Flush On the Flat Surface, Tighten All Bolts Completely.

STEP4



IMPORTANT NOTE:

- Place all laminated parts on a clean and smooth surface such as a rug or carpet to avoid the parts from being scratched.
- Check to be sure that you have all parts and hardware.
- Remove all wrapping materials, including staples & packing straps before you start to assemble.
- Don't tighten all screws/bolts until all completely assembled.
- Keep all hardware parts out of reach of children

