



Rover Range (50-ROMRB - 1612)

Assembly Instructions

Rover Range (50-ROMRB - 1612)




Components List

 12 x 3x14mm Screw
 56 x 3.5x14mm Screw
 2 x Hinge Stand


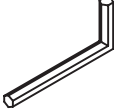




S2 G1

 adjustable spring pieces
 4 x Lock
 4 x Hinge Stand

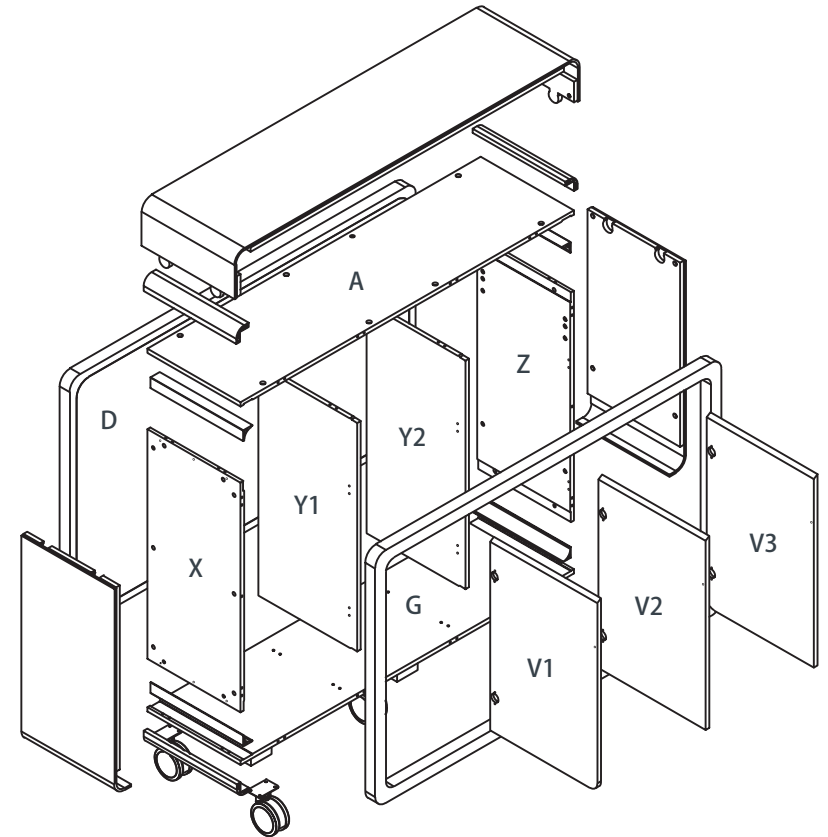
L G2

 50 x 6x35mm Cam Bolt
 44 x 8x30mm Dowel Pin
 20 x 5/8" Cam Cover
 16 x Threaded Dowel Pin
 8 x 4x22mm Fix Bolt
 24 x 3.5x30mm Screw

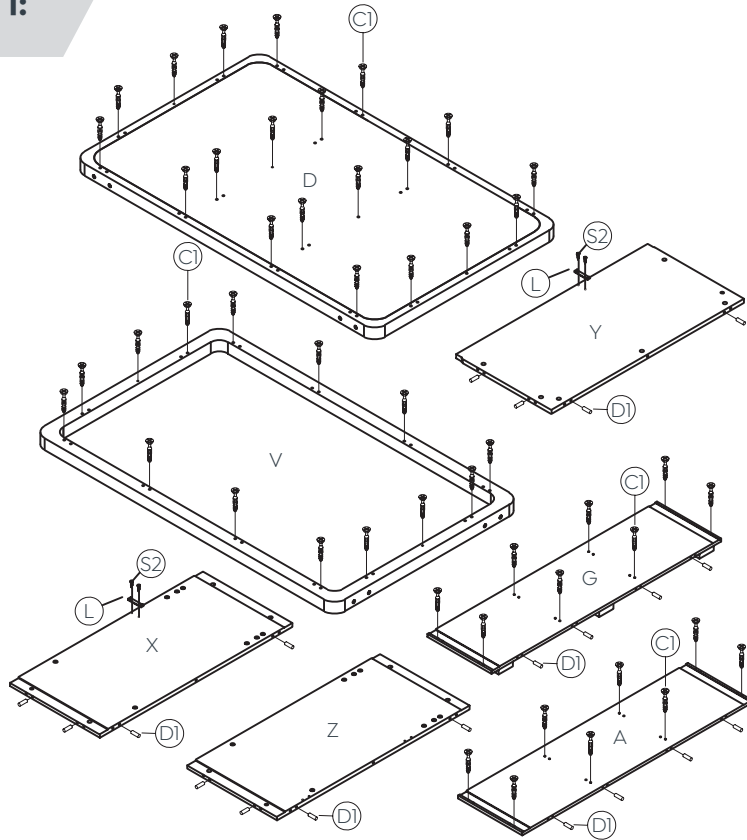
C1 D1 C2 P1 B2 S1

 20 x 6x25mm Fix Bolt
 1 x Wrench
 20 x 6x20mm Fix Bolt
 2 x Castor
 3 x Castor
 Cam
 Pre-installed Parts:

B1 A B3 T1 T2 C5



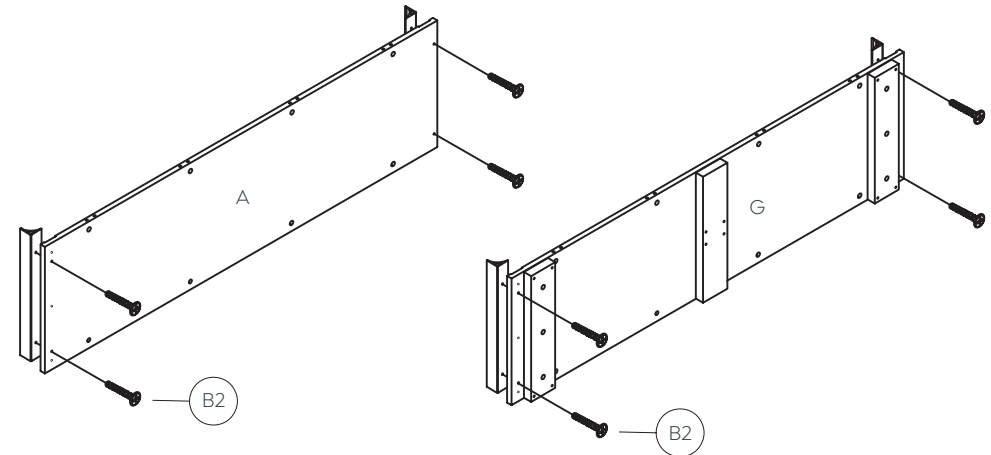
STEP 1:



Preparation for panel A, G, Z, X, Y, F and D.

1. Insert cam bolts C1 and dowel pins D1 into panels A, G, D, X and Z as illustrated above.
2. Locate the trim ring on lock and set aside. Insert cylinder of lock L through hole in Y and secure with S2 screws. Add trim ring to lock on outside of Y.
3. Insert cam bolts C2 and dowel pins D1 into panels Y as illustrated above.

STEP 2:

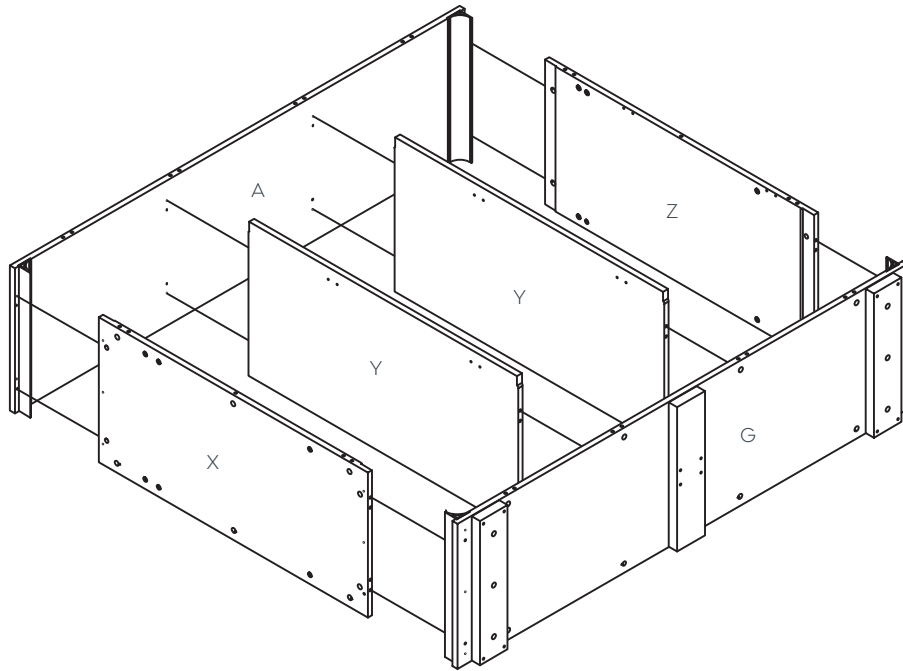


1. Install the aluminum piece and A, G panel together with bolts B2 as illustrated above.

Rover Range (50-ROMRB - 1612)

Assembly Instructions

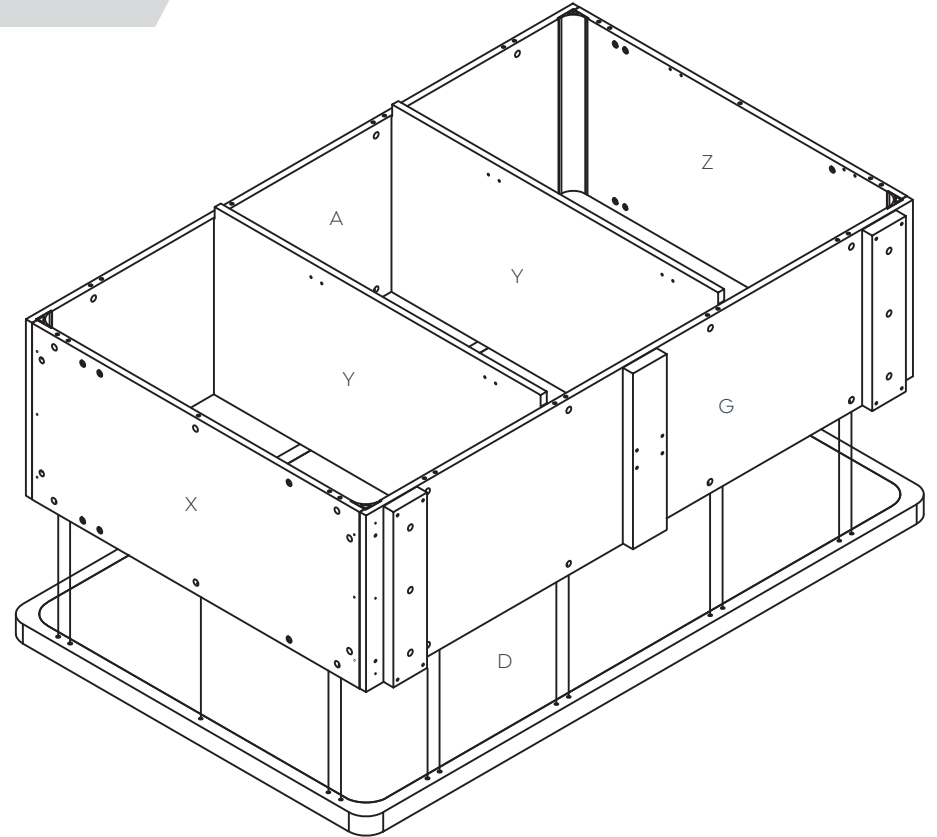
STEP 3:



Panel A/G assembly

1. Insert cam bolts C1 and dowel pins D1 on panel A, G into cams on panel X, Z, Y and tighten in a clockwise direction as illustrated above.

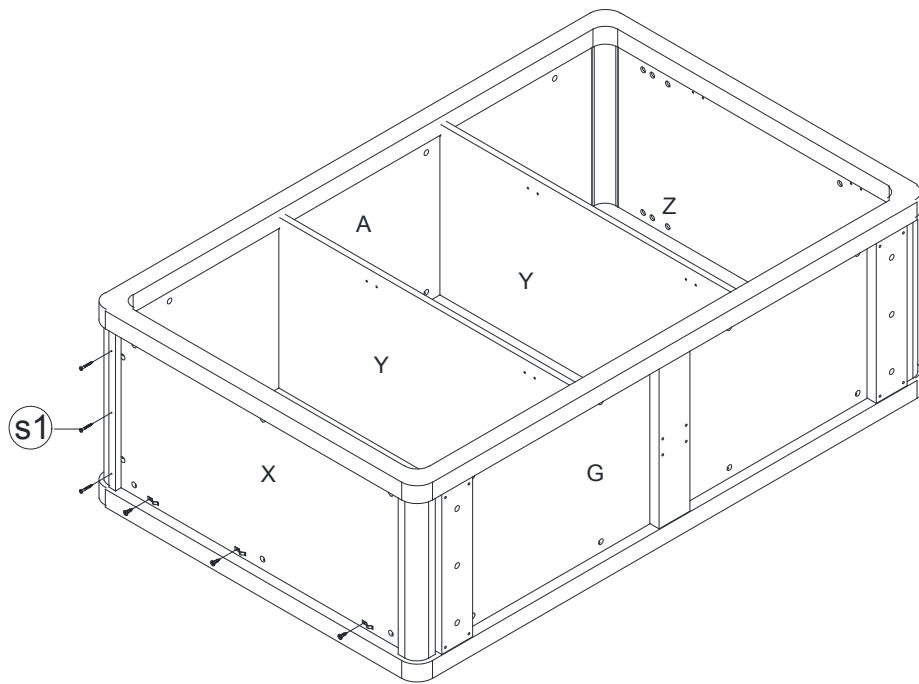
STEP 4:



Panel D assembly

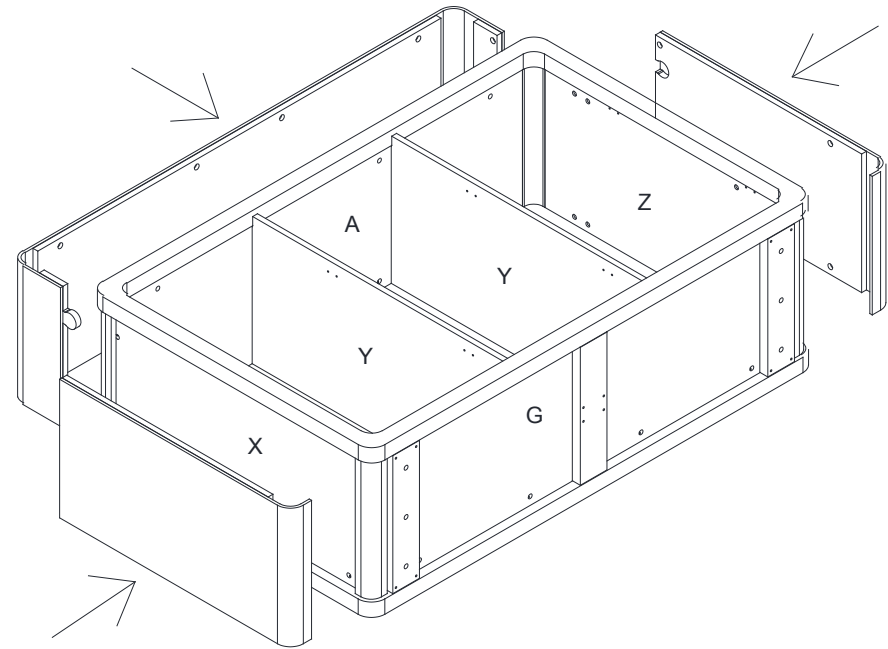
1. Insert cam bolts C1 and dowel pins D1 on panel D into cams on panel X, Z, A, G, Y and tighten in a clockwise direction as illustrated above.

STEP 5:



1. Install the aluminum piece and X, Z, A, G panel together with screw S1 as illustrated above.
2. Install the aluminum piece and X, Z panel together with screw S1 as illustrated above.

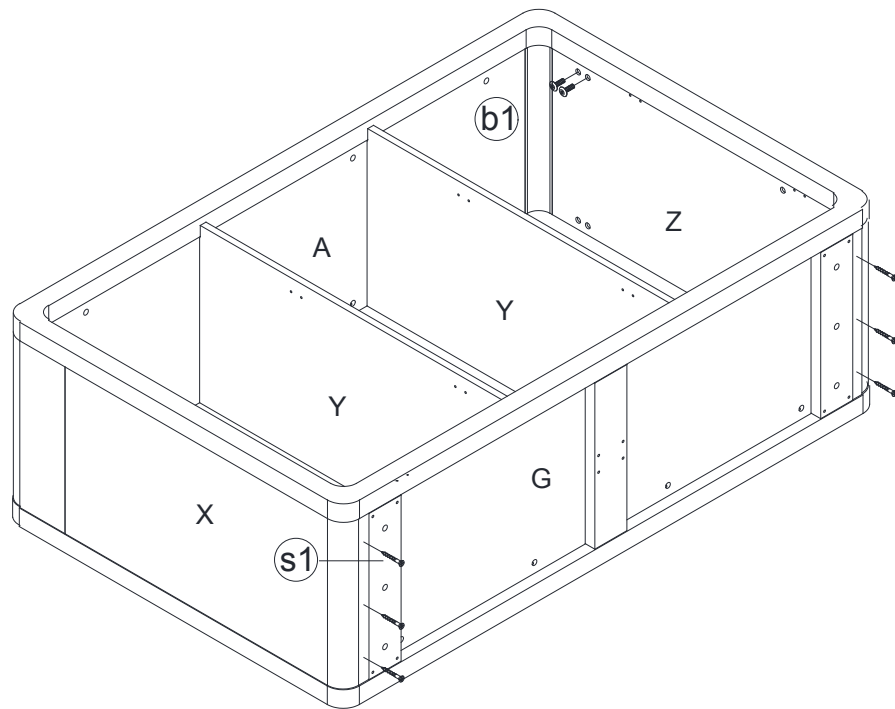
STEP 6:



Rover Range (50-ROMRB - 1612)

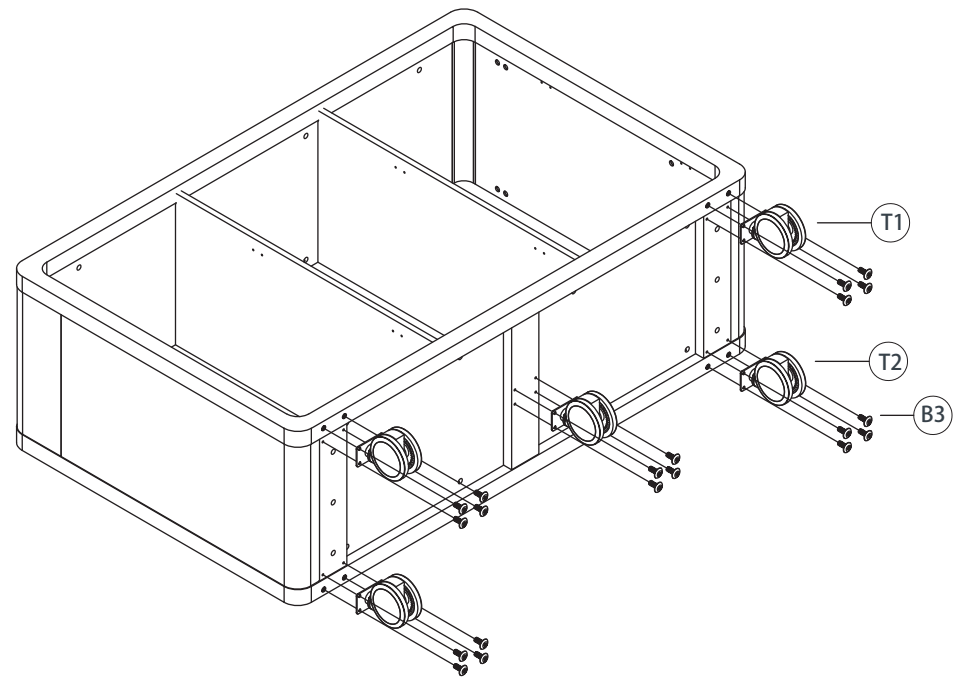
Assembly Instructions

STEP 7:



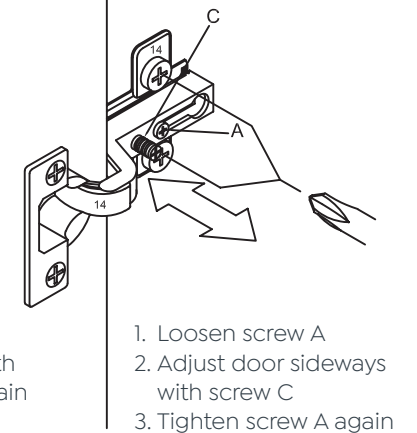
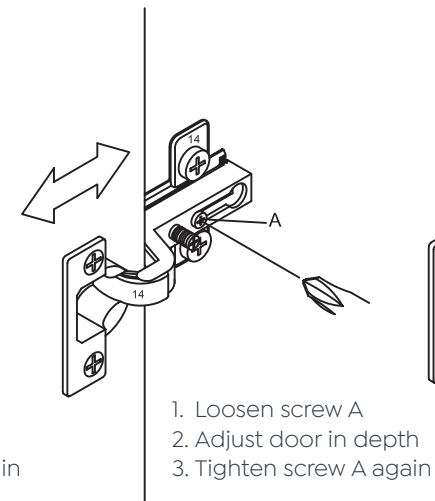
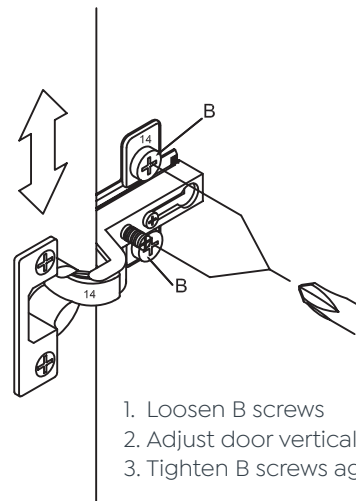
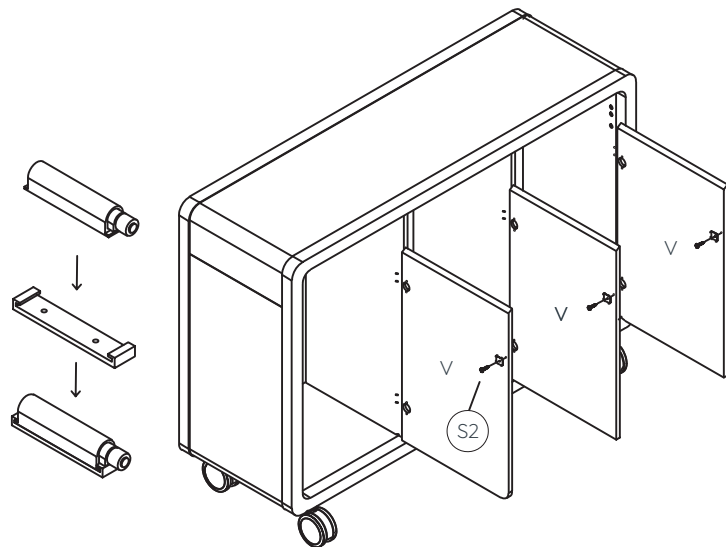
1. Insert Fix Bolt B1 on panel A, X, Z into cams on eua and tighten in a clockwise direction as illustrated above.
2. Install the aluminum piece and G panel together with Screw S1 as illustrated above.

STEP 8:



1. Install castors T1 and T2 using screws B3.

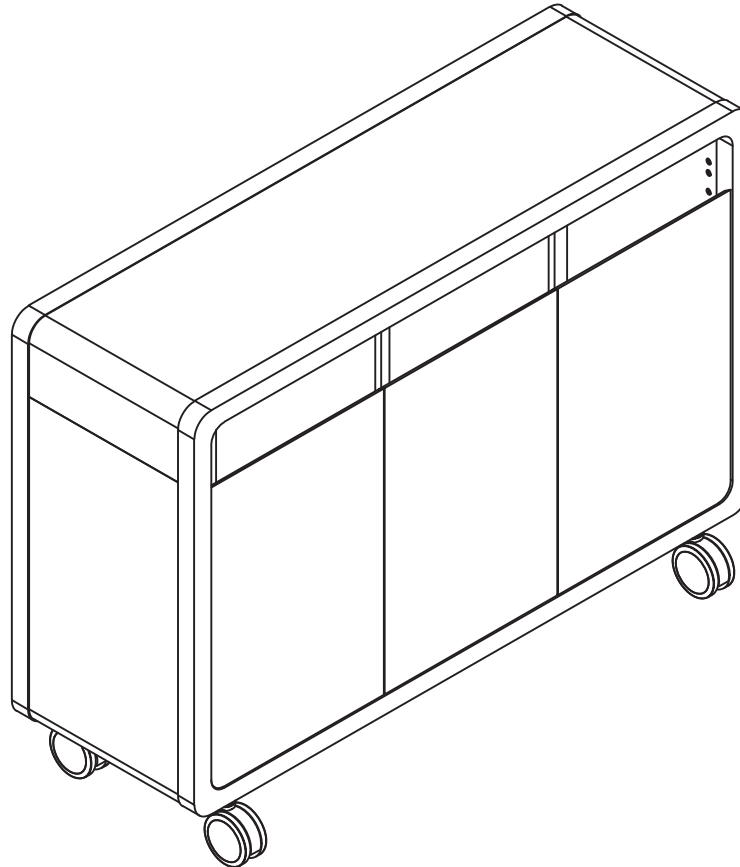
STEP 9:



Rover Range (50-ROMRB - 1612)

Assembly Instructions

Complete:



Remove all QC and panel labels and wipe clean using a damp cloth and general household cleaner.