

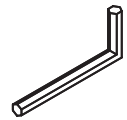
---

## **Rover Range (50-ROMBS-0805)**

Assembly Instructions

# Rover Range (50-ROMBS-0805)

## Components List



1 x Wrench

A



16 x 6x20mm  
Fix Bolt

B3



2 x Castor

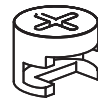
T1



2 x Castor

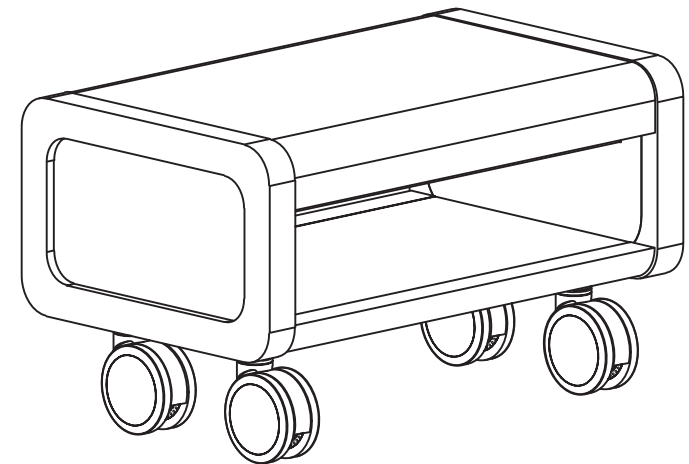
T2

Pre-installed  
Parts:

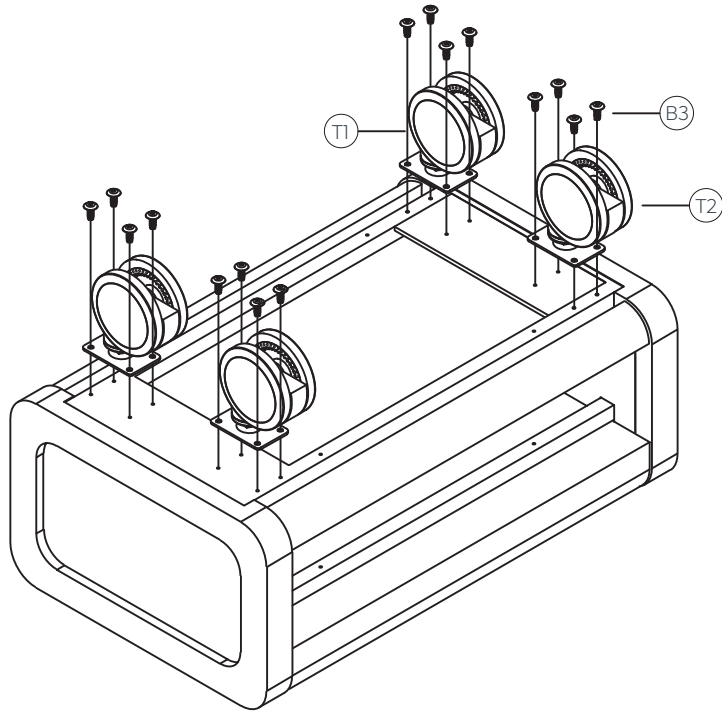


Cam

C5



## STEP 1:



1. Install castors T1 and T2 using screws B3.

## Complete:

