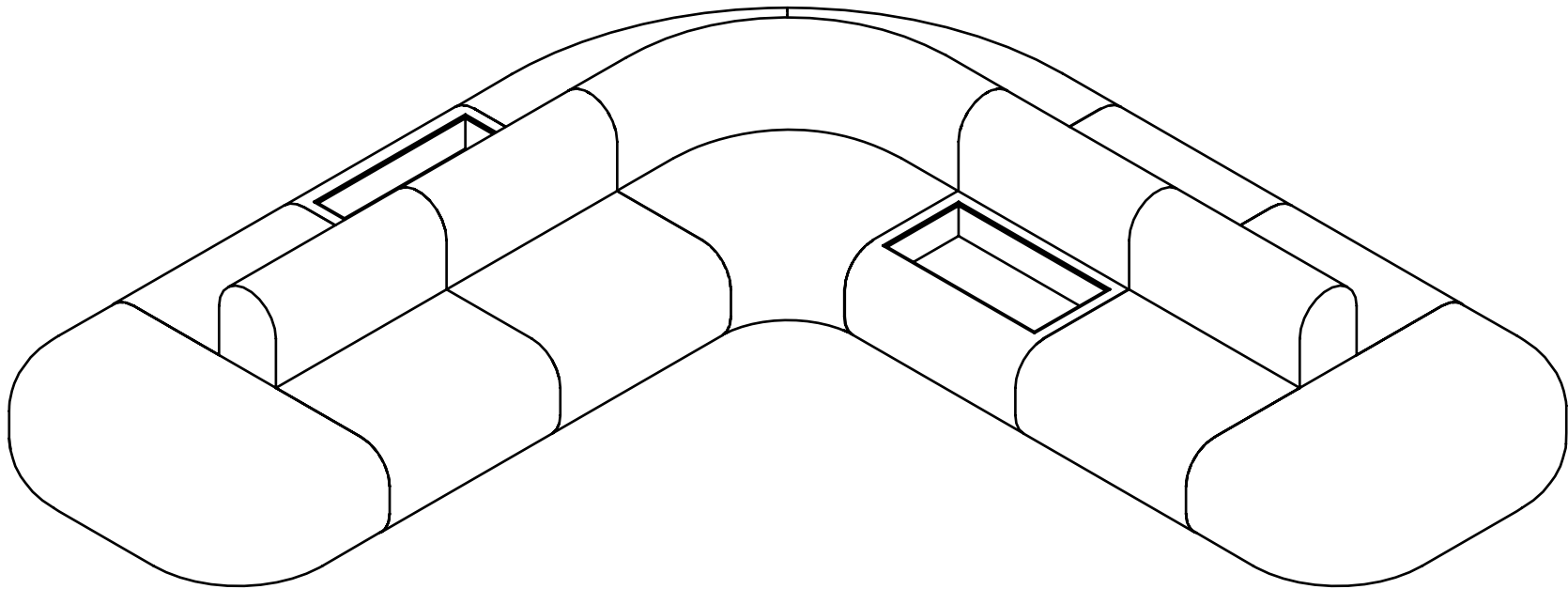




EPIC OFFICE
furniture.com.au



Grove Sofa 90°

Assembly Instructions

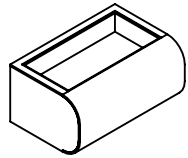
Grove Sofa 90°

Components List



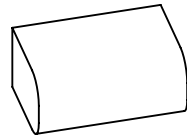
Back Rest

A



Seat w/ Planter Box

B



Seat

C



Connecting Plate

D



M8 x 60 Screw

E



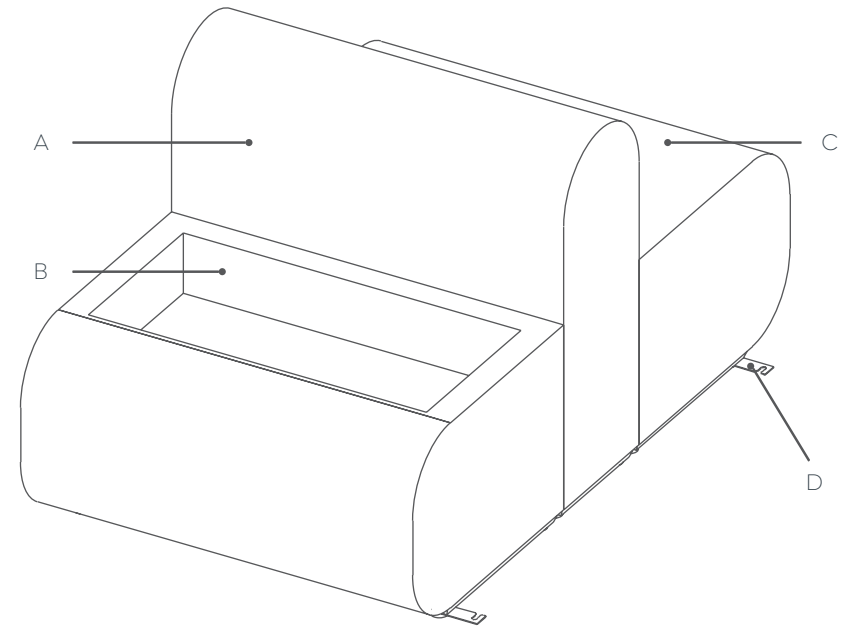
Gasket

F

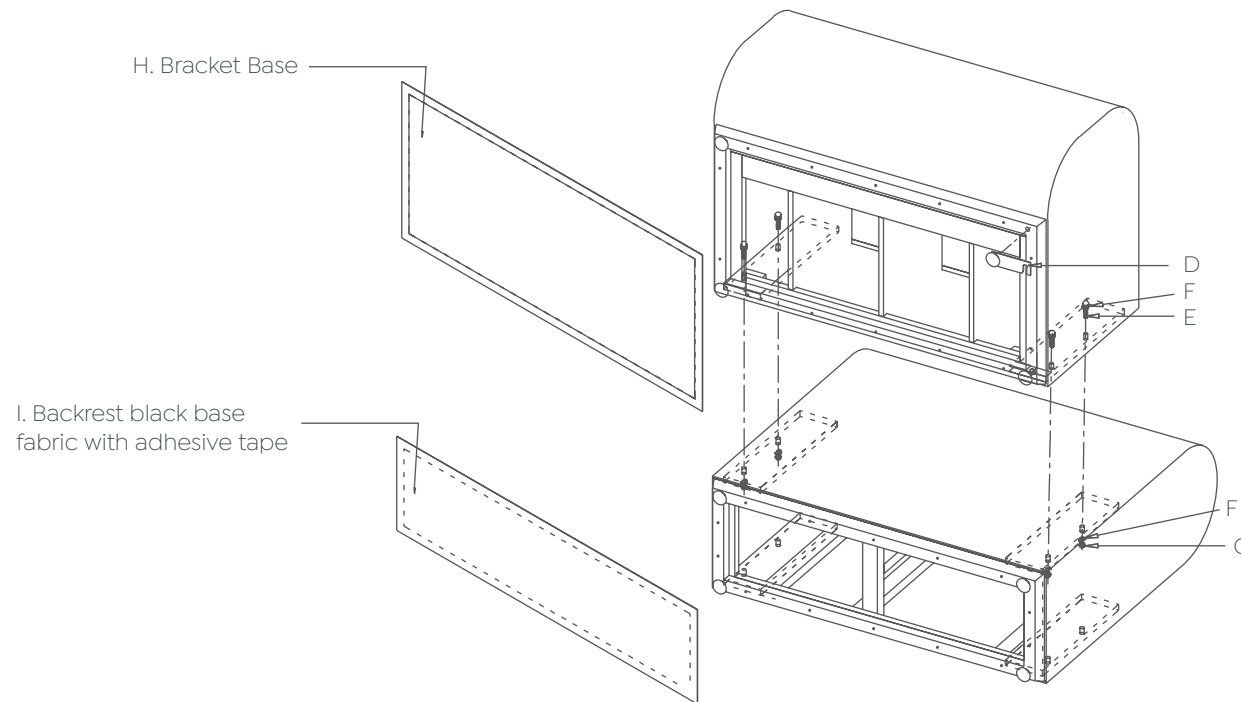


Nut

G



STEP 1:



Installation Notes:

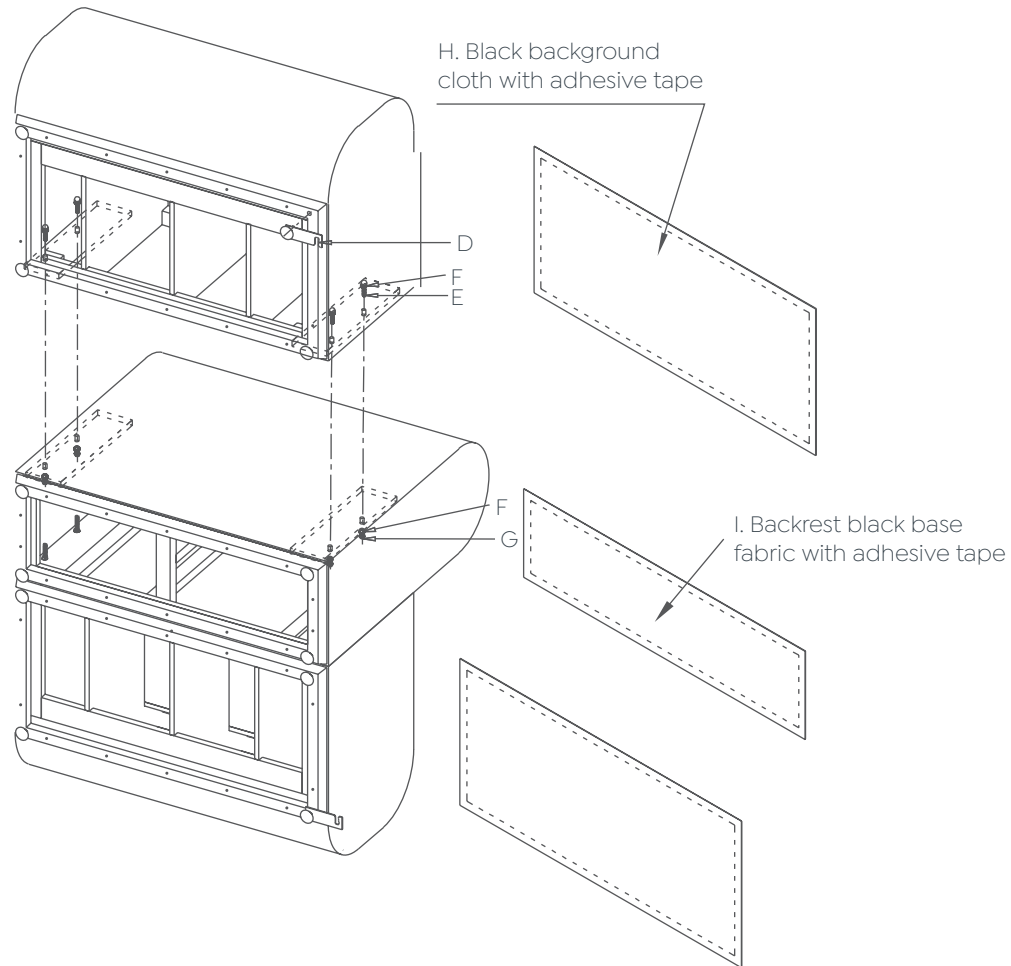
1. Turn over the backrest and seat to be connected, remove H and I (black base cloth with Velcro Tape).
2. Align the backrest and the connecting plate inside. Insert bolts, apply washer & nut and tighten. Install all 4 bolts. The fabric will need a knife cut out at hole location.
3. Reattached black cloths & timber black bases to backrest seat.

Grove Sofa 90°

Assembly Instructions

STEP 2:

Additional step for Two-Sided sofa.

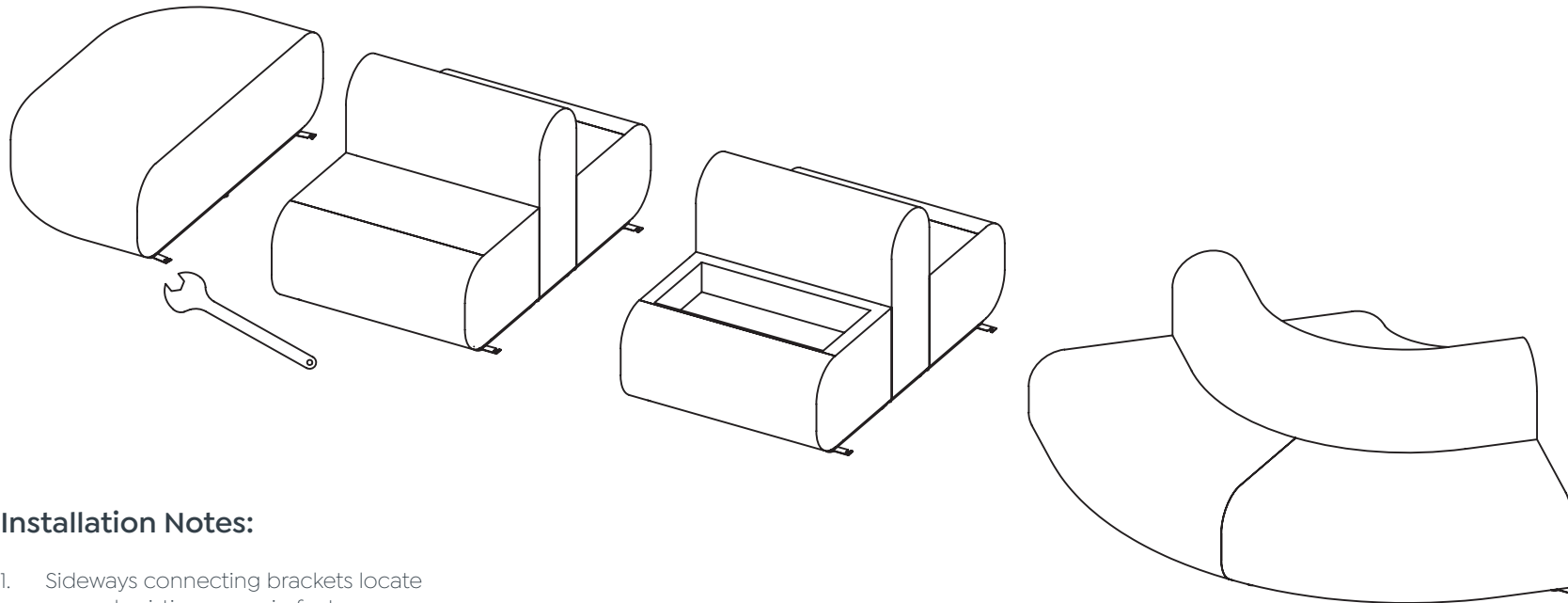


Note:

1. Use same step as One-Sided Sofa

STEP 3:

Linking Sofas together.



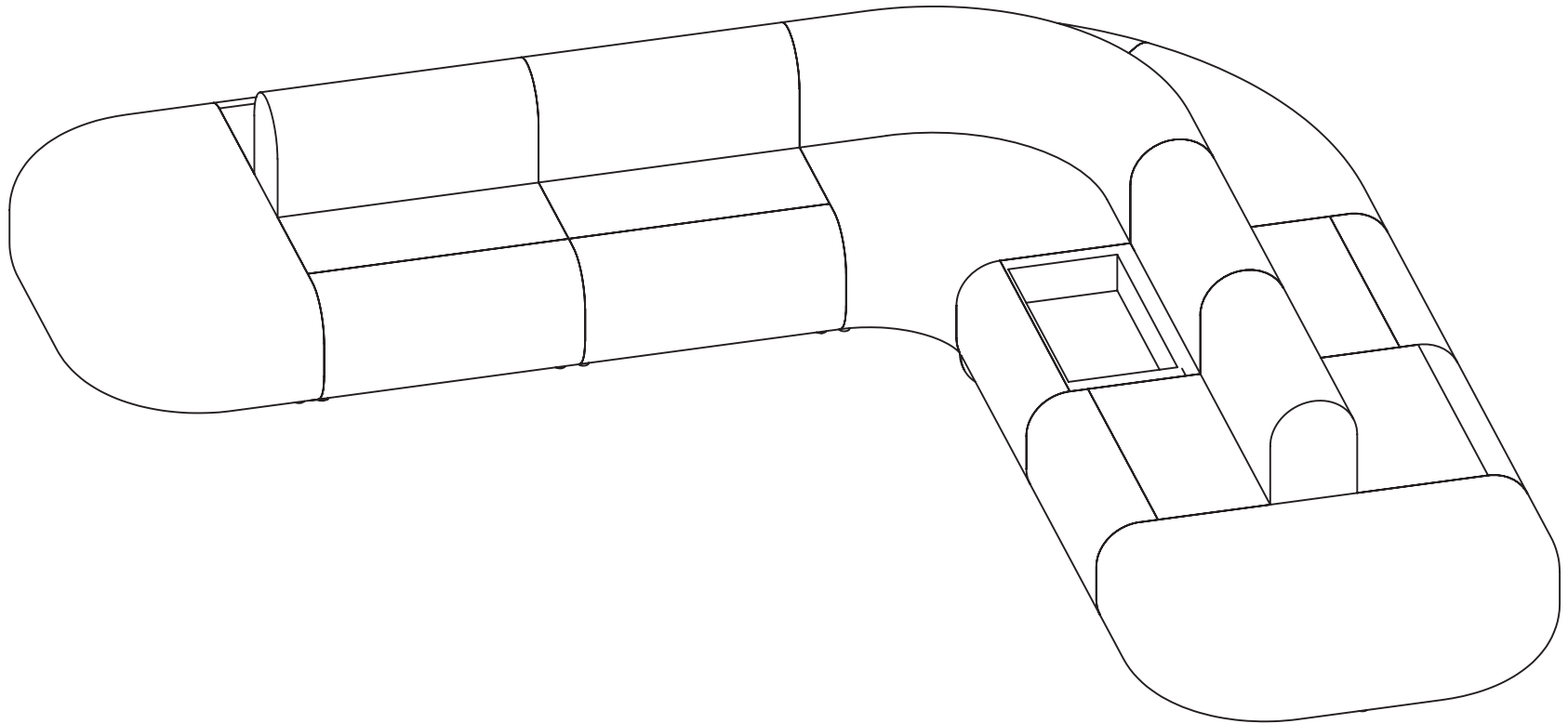
Installation Notes:

1. Sideways connecting brackets locate around existing screw in feet.

Grove Sofa 90°

Assembly Instructions

Complete:



Complete:

