

Knox Locker Range.

Introducing the Knox Lockers range - a secure and effortless storage solution for PRG B B WLRDODGB B WLRDO spaces. Knox lockers offer keyless entry with combination locks and master key override, ensuring hassle-free access and security. With unique mail slots that enhance air ventilation and easy-to-open doors, the Knox lockers are both practical and user-friendly.

Features

Provides secure and hassle-free user access with combination lock, while allowing administrators to access with master key override easily if needed.

Mail slots enhance air ventilation and provides easy access to mail and small items.

Versatile hanging rail (available in one and two door locker options).

Solid 18mm back for ease of installation.

Backed by OLG's 10-year warranty.

Available in Nordic Maple and New Oak 5DYEK MZWKRWKE BORMRO request, and various door options.

Colour Options

Stocked Options



Nordic Maple New Oak Ravine



Single Door Locker

2 Door Locker

3 Door Locker

4 Door Locker

Large Planter

Small Planter

Dimensions

Lockers

Overall Width	305 mm
Overall Depth	455 mm
Overall Height	1805 mm

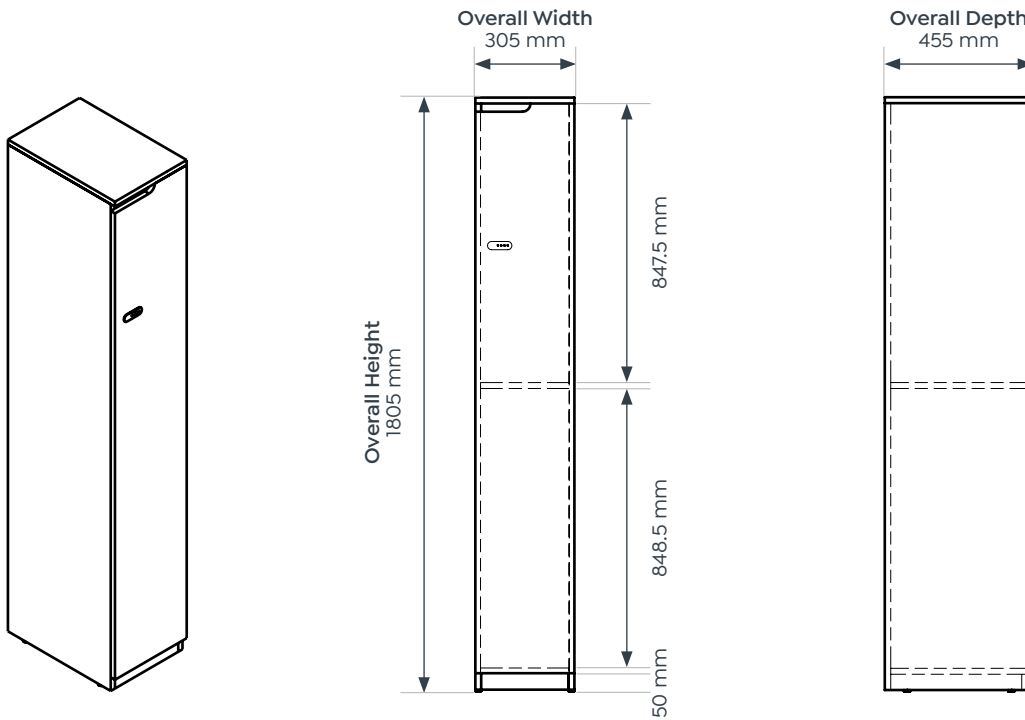
Planters

	Small	Large
Overall Width	610 mm	915 mm
Overall Depth	455 mm	455 mm
Overall Height	200 mm	200 mm

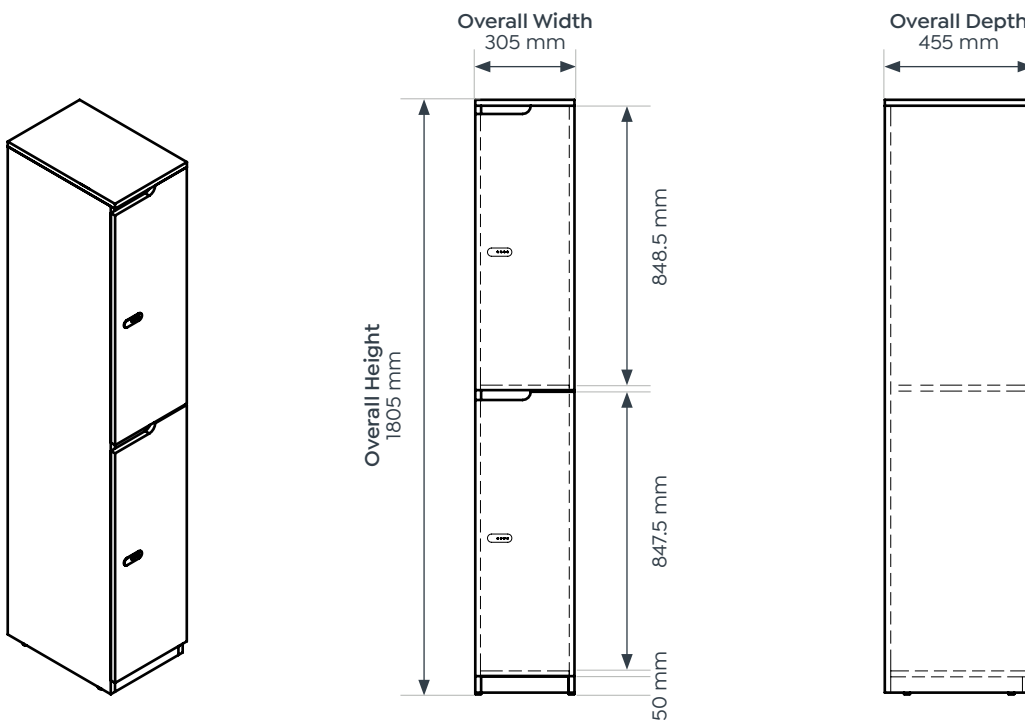
Knox Locker Range.

Dimensions

Knox Single Door Locker

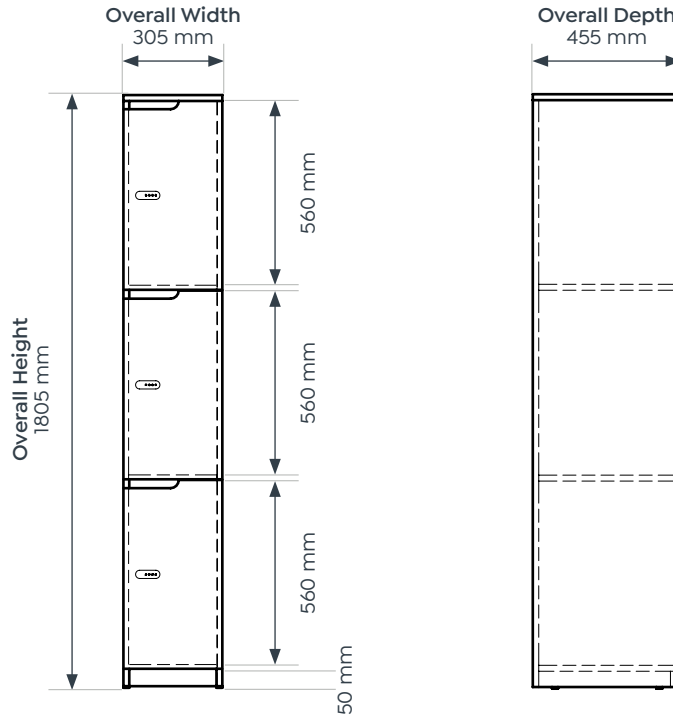
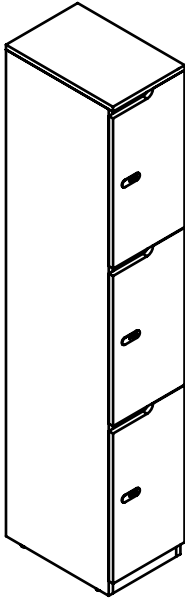


Knox 2 Door Locker

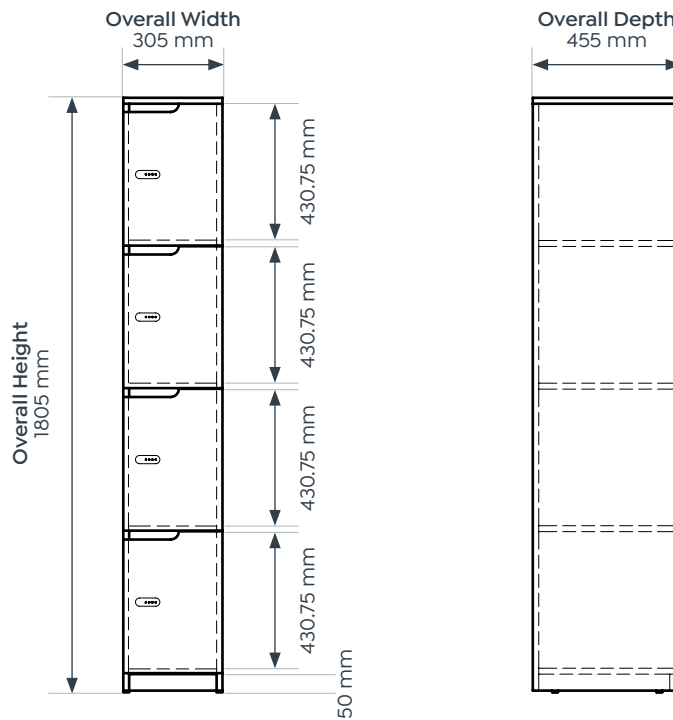
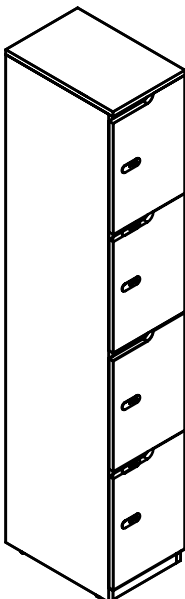


Dimensions

Knox 3 Door Locker

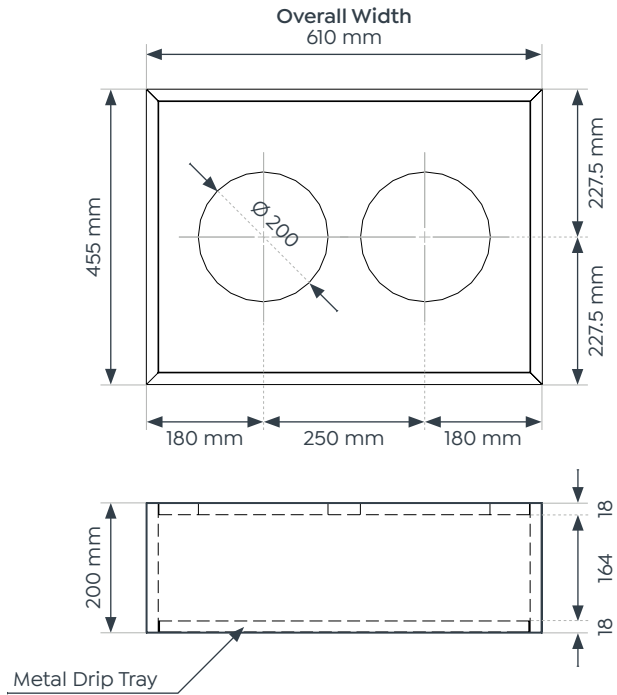
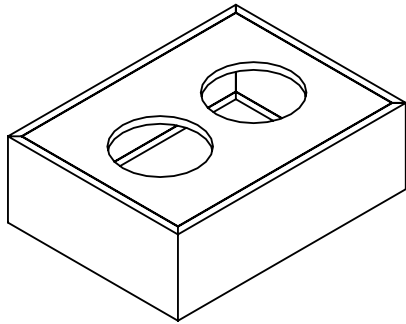


Knox 4 Door Locker



Dimensions

Knox Locker Small Planter



Knox Locker Large Planter

